

AIMING TO YOUR SUCCESS!

COMPETITIVE PRICING
QUALITY PRODUCTS
FAST ANSWERS

DELIVERIES ON TIME
AFTER SALES SERVICE
PROFESSIONAL SUPPORT

If you are looking for a **"Partner"** and not an ordinary "supplier" please go ahead in reading because **SEVEN VALVES is the answer to your needs!** Seven Valves is a company focused on the design and manufacturing of industrial valves and gives an answer to the main market's needs:

- Customization of the product
- Fast availability
- Quality



WHO WE ARE **Seven Valves s.r.l.** is a company built up by professionals having a long lasting expertise in designing, manufacturing and sales of ball valves for the chemical, petrochemical and oil & gas industries, supplying **HIGH LEVELS OF SERVICE, QUALITY and CUSTOMIZATION** having the target of **THE CUSTOMER SATISFACTION**

OUR MISSION

- To supply on time standard products at competitive prices
- To supply high quality products designed to fulfill the customer requirements
- To support the maintenance and the revamping of the existing installations
- To help our customers in reaching their success

WHERE WE ARE Seven Valves is located in Via Mincio N°7 in RHO (MI), at few minutes from the Milan Exhibition Center and at 1 minute from the main motorways in the Milan area, at 30 minutes from Malpensa International Airport and at 2 hours from Genova, the main Italian harbour.

HOW TO CONTACT US info@7valves.it - T. +39 02 93162165 - F. +39 02 9306847

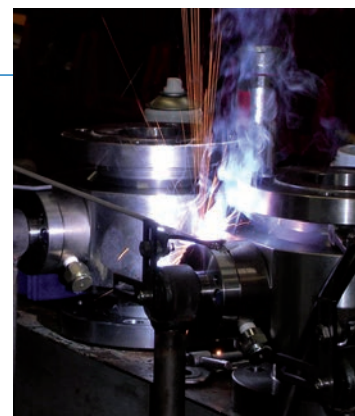
ASPIRIAMO AL VOSTRO SUCCESSO!

PREZZI COMPETITIVI
PRODOTTI DI QUALITÀ
RISPOSTE IN TEMPI RAPIDI

CONSEGNE RISPETTATE
ASSISTENZA POST VENDITA
SUPPORTO PROFESSIONALE

Se volete un **"Partner"** e non un semplice "fornitore" proseguite la lettura, perché **SEVEN VALVES è la vostra risposta!** Seven Valves è una società focalizzata alla progettazione e realizzazione di valvole industriali e risponde alle principali esigenze di mercato in termini di:

- Personalizzazione del prodotto
- Disponibilità immediata dei prodotti
- Qualità di prodotto



CHI SIAMO **Seven Valves s.r.l.** è una società costituita da **professionisti di lunga esperienza** nel progettare, produrre e commercializzare valvole a sfera per impieghi nel campo chimico, petrolchimico, oil & gas, fornendo **ALTI LIVELLI DI SERVIZIO, QUALITÀ e PERSONALIZZAZIONE** che hanno come obiettivo **LA SODDISFAZIONE DELLE ESIGENZE DEL CLIENTE.**

LA NOSTRA MISSIONE

- Fornire con tempestività prodotti "standard" di qualità a prezzi competitivi
- Fornire prodotti di qualità realizzati "su misura" per i clienti
- Supportare il servizio di manutenzione ordinaria e straordinaria (revamping) di impianti esistenti
- Aiutare i nostri clienti a raggiungere il loro successo

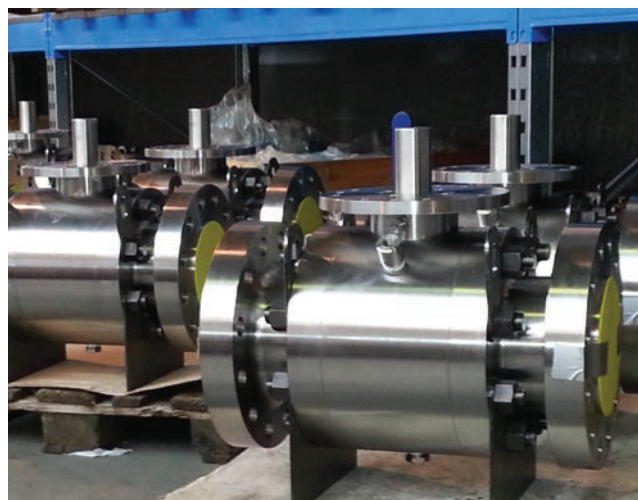
DOVE SIAMO Seven Valves è situata in Via Mincio N°7 a RHO (MI), a pochi minuti dalla Fiera di Milano ed è facilmente raggiungibile perchè si trova ad un 1 minuto dalle autostrade del nodo di Milano, a 30 minuti dall'aeroporto di Malpensa e 2 ore da Genova, il principale porto italiano.

COME CONTATTARCI info@7valves.it - T. +39 02 93162165 - F. +39 02 9306847

PRODUCT RANGE / GAMMA DEI PRODOTTI



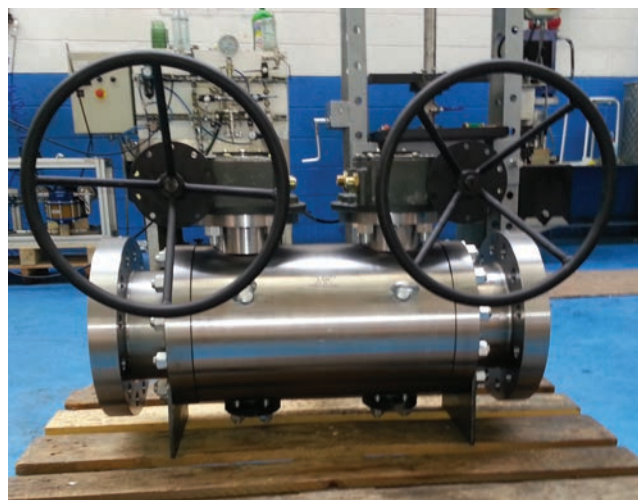
WAFER BALL VALVES / VALVOLE A SFERA A CORPO PIATTO
DN 15-150 PN 16-100 - DN 1/4"-6" ANSI 150-600
FORGED, CAST STEEL AND ALLOYS / RICAVATA DAL PIENO,
IN FUSIONE O VARIE TIPOLOGIE DI LEGA



TRUNNION BALL VALVES / VALVOLE TRUNNION
DN 2"-24" SIDE ENTRY TOP ENTRY - ANSI 150-2500
FORGED, CAST STEEL AND ALLOYS / FORGIATE,
IN FUSIONE IN ACCIAIO O VARIE TIPOLOGIE DI LEGA



SPLIT BODY FLOATING BALL VALVES / VALVOLE A SFERA
FLANGIATE
DN 15-200 (1/4"-8") PN16-250 ANSI 150-2500
FORGED, CAST STEEL AND ALLOYS / RICAVATE DAL PIENO,
IN FUSIONE IN ACCIAIO O VARIE TIPOLOGIE DI LEGA



FORGED TRUNNION AND FLOATING DOUBLE BLOCK
& BLEED BALL VALVES DN 1/4"-24" ANSI 150-2500
/ VALVOLE A DOPPIA SFERA TRUNNION
E FLOATING DN 1/4"-24" ANSI 150-2500

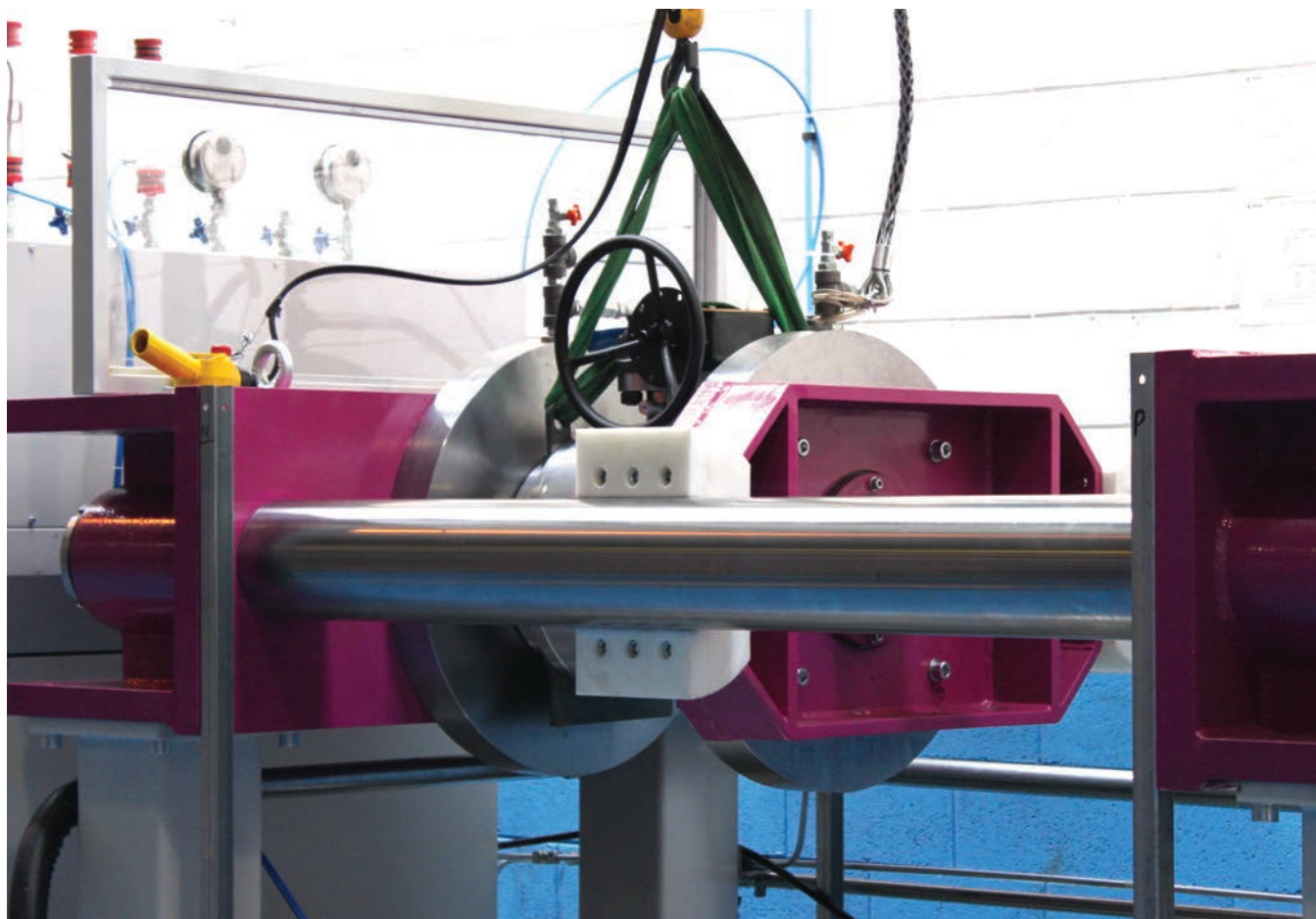
2 and 3 pieces cast or forged ball valves (1/4"-4") (till 1500 psi and class 6000) are also available with different ends **NPT, GAS, BW, SW**

*Sono disponibili anche valvole in **2 e 3 pezzi** sia fuse che dal pieno (fino a 1500 psi e alla classe 6000) con diversi tipi di connessione **NPT, GAS, BW, SW***

All the products are developed with **3-D CAD (Solidworks)** and checked since the design phase. All the products have been designed with **fire safe criterias** and submitted to calculation as per **ASME VIII and ASME B16.34**. The **range of temperature** available is from **-190°C to 450°C**. The service conditions achievable are the severe sour service as per **NACE MR 0175**. All the sealing material can be provided depending on service conditions as **PTFE, RPTFE, PEEK, KEL-F, lip seals and metal to metal**. The valves can be equipped with any **actuation system** available in the market.

*Tutti i prodotti sono progettati con un **programma CAD tridimensionale (Solidworks)** e verificati fin dalla fase del progetto. Tutti i prodotti sono progettati con **criteri fire safe** e sottoposti a verifiche dimensionali secondo le normative **ASME VIII e ASME B 16.34**. Il campo di temperatura per il quale sono costruite le valvole varia da **-190°C a +450°C**. Le condizioni di servizio raggiungibili sono di servizio severo secondo la normativa **NACE MR 0175**. Sono disponibili tutti i materiali di tenuta in funzione delle condizioni di servizio (**PTFE, RPTFE, PEEK, KEL-F, li pseals e sedi metalliche**). Le valvole possono essere equipaggiate con qualsiasi **sistema di automazione** disponibile sul mercato.*

TESTING FACILITIES / ATTREZZATURE DI COLLAUDO



50 T - 500 T PRESS (max bore 30" #150)
/ PRESSE DA 50 T - 500 T (FINO A 30" # 150)

CERTIFICATIONS / CERTIFICAZIONI

Seven Valves has approved its products for **CE/PED (97/23/CE) category I,II,III fluido 1 and ATEX group II, category 2 zone 1, 2, 21, 22 (94/9/CE)** standards. Seven Valves activities have been approved by **Bureau Veritas** certified as per UNI ES ISO 9001:08 standards.

Seven Valves are **Fire Safe** tested and certified as per **API 607 VI Ed, UNI ISO 10497:2010 and API 6 FA III Ed.** standards. The products of Seven Valves are approved by **GOST**.

*I prodotti Seven Valves sono certificati **CE/PED (97/23/CE) categoria I,II,III fluido 1 e ATEX gruppo II, categoria 2 zona 1, 2, 21, 22 (94/9/CE)**. Le attività di Seven Valves sono state certificate da Bureau Veritas in accordo alla normativa UNI ES ISO 9001:08.*

*Le valvole Seven Valves sono certificate "**Fire Safe**" secondo le normative **API 607 VI Ed, UNI ISO 10497:2010 e API 6 FA III Ed.** I prodotti Seven Valves sono approvati da **GOST**.*



PRODUCTS

PRODOTTI

VALVES

710

DN 15-150
PN 6-100

DN 1/2"-6"
ANSI 150-600

**FORGED AND CAST FLOATING
WAFER BALL VALVES**
**VALVOLE A SFERA A CORPO
PIATTO DAL PIENO E DA FUSIONE**



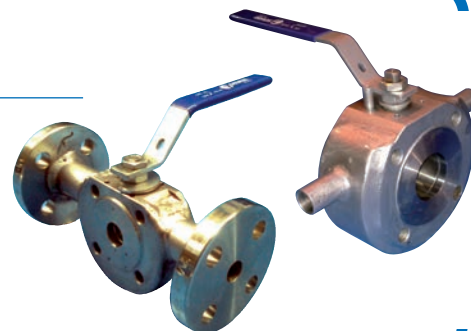
VALVES

711

DN 25-150
PN 6-40

DN 1"-6"
ANSI 150-300

**FORGED AND CAST FLOATING WAFER BALL
VALVES WITH HEATING CHAMBER**
**VALVOLE A SFERA A CORPO
PIATTO DAL PIENO E DA FUSIONE CON
CAMICIA DI RISCALDAMENTO**



VALVES

750/760

DN 15-200
PN 6-420

DN 1/2"-8"
ANSI 150-2500

**FORGED AND CAST FLOATING SPLIT BODY
BALL VALVES FULL AND REDUCED BORE**
**VALVOLE A SFERA FLANGIATE
DAL PIENO E DA FUSIONE A PASSAGGIO
PIENO E RIDOTTO**



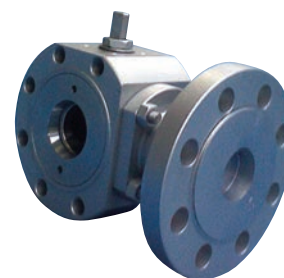
VALVES

712/713

DN 15-150
PN 6-100

DN 1/2"-6"
ANSI 150-600

**3 WAYS "L" AND "T" FORGED FLOATING
WAFER BALL VALVES**
**VALVOLE A SFERA A CORPO
PIATTO RICAVATE DAL PIENO A 3 VIE "L" E "T"**



VALVES

720-721N

DN 1/4"-2"
800-1500 lbs
3000 P.s.i.

THREADED FLOATING TWO PIECES BALL VALVES FORGED BODY FULL AND REDUCED BORE
VALVOLE A SFERA FILETTATE IN DUE PEZZI RICAVATA DA PIENO A PASSAGGIO PIENO E RIDOTTO



VALVES

720F/724F

DN 3/8"-4"
PN 63
1000 WOG

CAST FLOATING 2 AND 3 PIECES BALL VALVES
VALVOLE A SFERA FILETTATE IN 2 E 3 PEZZI IN FUSIONE



VALVES

7TSE

DN 50-500
PN 6-420

DN 2"-24"
ANSI 150-2500

FORGED TRUNNION BALL VALVES FULL AND REDUCED BORE
VALVOLE A SFERA TRUNNION FORGIATE A PASSAGGIO PIENO E RIDOTTO



VALVES

7 DBB

DN 15-500
PN 6-420

DN 1/2"-24"
ANSI 150-2500

FORGED TRUNNION AND FLOATING DOUBLE BLOCK & BLEED BALL VALVES
VALVOLE A SFERA DOUBLE BLOCK & BLEED FLOATING E TRUNNION



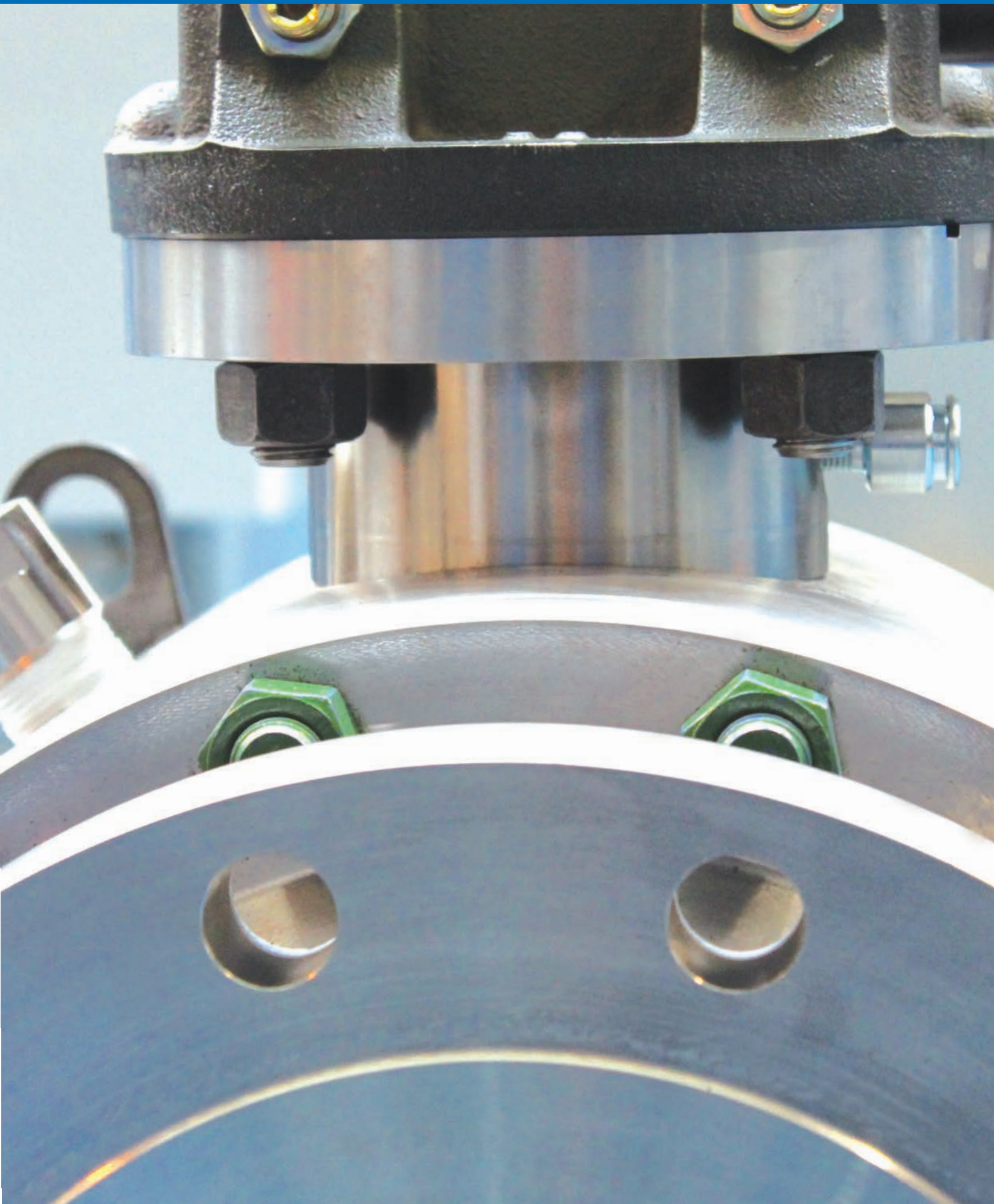
VALVES

Y STRAINER

DN 15-350
PN 16-40
DN 1/2"-14"
ANSI 150-300

CAST Y STRAINERS
FILTRI A Y IN FUSIONE





VALVES

710N

PN 16 - 40 / ANSI 150 - 300

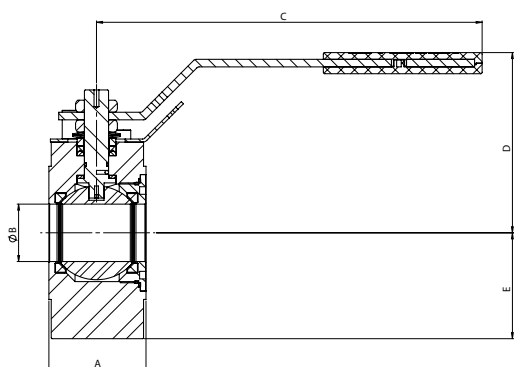
Rating: ANSI 150-600
PN 16-100

PN6, PN10,
PN25
Available
on request

FLOATING WAFER FORGED BALL VALVE VALVOLA A SFERA A CORPO PIATTO RICAVATA DAL PIENO



Dimensions



PN 16-40 / ANSI 150

SIZE	15 1/2"	20 3/4"	25 1"	32 1 1/4"	40 1 1/2"	50 2"	65 2 1/2"	80 3"	100 4"	125 5"	150 6"
A	35,2	38,2	43,2	51,2	64,2	80,2	104,2	118,2	150	182	236
B	ø13	ø19	ø25	ø28	ø38	ø49	ø62	ø74	ø100	ø118	ø150
C	138,5	138,5	171	171	260	260	333	333	427	427	472
D	85	89	97	101	119	127	147,5	158	174	189	227
E	45	50	55	65	70	75	90	102,5	115	127,5*	165
WEIGHT KG.	1,8	2,3	2,9	4	7	9	16	22	32	45	100

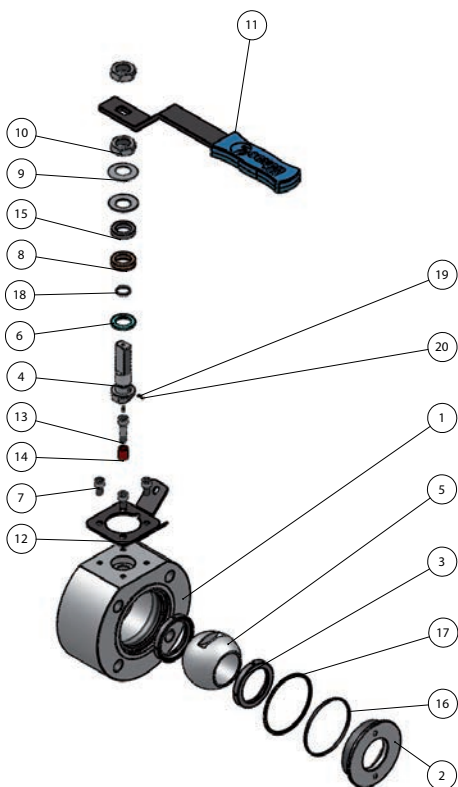
Dimensions in mm
*PN40: DN125 E 135

ANSI 300

SIZE	1/2"	3/4"	1"	1 1/4"	1 1/2"	2"	2 1/2"	3"	4"	5"	6"
A	35,2	38,2	43,2	51,2	64,2	80,2	104,2	118,2	150	182	236
B	ø13	ø19	ø25	ø28	ø38	ø49	ø62	ø74	ø100	ø118	ø150
C	138,5	138,5	171	171	260	260	333	333	427	427	472
D	85	89	97	101	119	127	147,5	158	174	189	227
E	45	50	55	65	70	75	90	112,5	132,5	135	165
WEIGHT KG.	1,8	2,3	2,9	4	7	9	16	22	32	45	100

Dimensions in mm

Description & Materials



POS	DESCRIPTION	MATERIAL			SPARE PARTS (QTY)
1	BODY	A105	304	316	
2	CLOSURE	A105	304	316	
3	SEAT	PTFE	PTFE	PTFE	2
4	STEM	304	304	316	
5	BALL	304	304	316	ON REQUEST
6	GASKET	PTFE	PTFE	PTFE	1
7	TE SCREW	8,8	8,8	8,8	
8	CHEVRON	RPTFE	RPTFE	RPTFE	1
9	SPRING WASHER	C72	C72	C72	ON REQUEST
10	NUT	65	65	65	ON REQUEST
11	ANATOMIC LEVER	GALV. STEEL	GALV. STEEL	GALV. STEEL	ON REQUEST
12	LOCKING DEVICE	FE410	FE410	FE410	
13	TE SCREW	8,8	8,8	8,8	ON REQUEST
14	LEVER STOP	FE410	FE410	FE410	ON REQUEST
15	WASHER	304	304	304	
16	GASKET	GRAPHITE	GRAPHITE	GRAPHITE	1
17	O-RING	NBR	NBR	NBR	1
18	O-RING	NBR	NBR	NBR	1
19	ANTISTATIC SPRING	304	304	316	
20	ANTISTATIC BALL	304	304	316	

VALVES

710N

PN 63 - 100

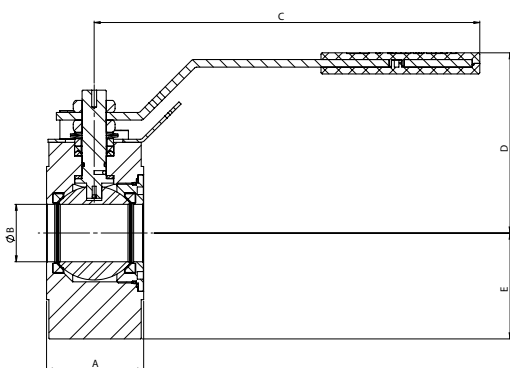
Rating: ANSI 150-600
PN 16-100

PN6, PN10,
PN25
Available
on request

FLOATING WAFER FORGED BALL VALVE VALVOLA A SFERA A CORPO PIATTO RICAVATA DAL PIENO



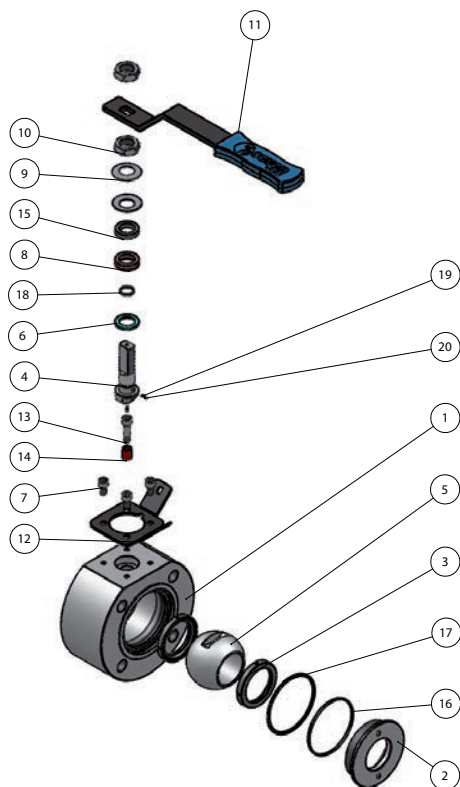
Dimensions



SIZE	DN 15	DN 20	DN 25	DN 32	DN 40	DN 50	DN 65	DN 80	DN 100	DN 150
A	50	60	65	65	100	115	130	152	170	280
B	ø13	ø19	ø25	ø28	ø38	ø49	ø62	ø74	ø100	ø150
C	138,5	138,5	171	171	260	260	333	333	427	472
D	85	89	97	111	134	147	159	168	194	227
E	45	50	55	75	85	95	105	112,5	132,5	165
WEIGHT KG.	1,8	2,3	2,9	7	10	16	20	31	43	150

Dimensions in mm

Description & Materials



POS	DESCRIPTION	MATERIAL			SPARE PARTS (QTY)
1	BODY	A105	304	316	
2	CLOSURE	A105	304	316	
3	SEAT	PTFE	PTFE	PTFE	2
4	STEM	304	304	316	
5	BALL	304	304	316	ON REQUEST
6	GASKET	PTFE	PTFE	PTFE	1
7	TE SCREW	8,8	8,8	8,8	
8	CHEVRON	RPTFE	RPTFE	RPTFE	1
9	SPRING WASHER	C72	C72	C72	ON REQUEST
10	NUT	65	65	65	ON REQUEST
11	ANATOMIC LEVER	GALV. STEEL	GALV. STEEL	GALV. STEEL	ON REQUEST
12	LOCKING DEVICE	FE410	FE410	FE410	
13	TE SCREW	8,8	8,8	8,8	ON REQUEST
14	LEVER STOP	FE410	FE410	FE410	ON REQUEST
15	WASHER	304	304	304	
16	GASKET	GRAPHITE	GRAPHITE	GRAPHITE	1
17	O-RING	NBR	NBR	NBR	1
18	O-RING	NBR	NBR	NBR	1
19	ANTISTATIC SPRING	304	304	316	
20	ANTISTATIC BALL	304	304	316	

VALVES

710N

ANSI 600

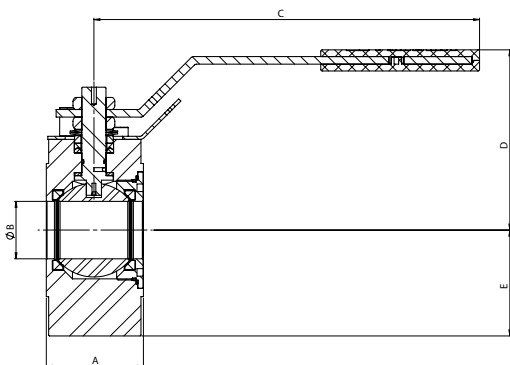
Rating: ANSI 150-600
PN 16-100

PN6, PN10,
PN25
Available
on request

FLOATING WAFER FORGED BALL VALVE VALVOLA A SFERA A CORPO PIATTO RICAVATA DAL PIENO



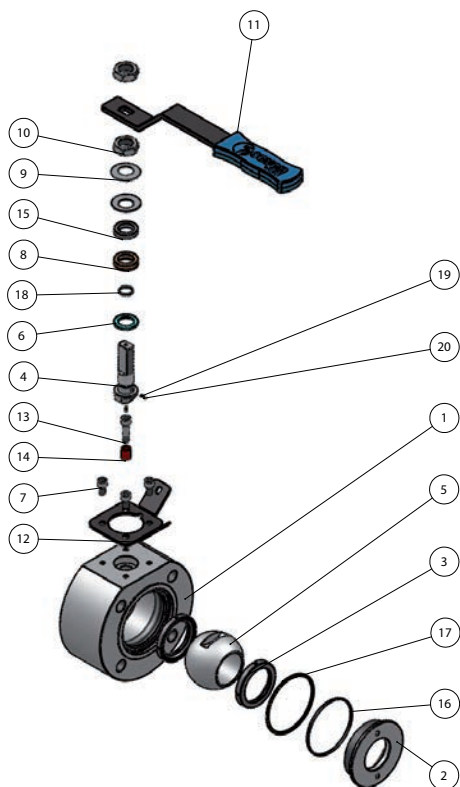
Dimensions



SIZE	1/2"	3/4"	1"	1 1/4"	1 1/2"	2"	2 1/2"	3"	4"
A	35,2	38,2	43,2	51,2	64,2	80,2	104,2	118,2	150
B	ø13	ø19	ø25	ø28	ø38	ø49	ø62	ø74	ø100
C	138,5	138,5	171	171	260	260	333	333	427
D	85	89	97	101	119	127	151,5	168	192
E	45	50	55	65	70	75	90	112,5	132,5
WEIGHT KG.	1,8	2,3	2,9	4	7	9	18	24	50

Dimensions in mm

Description & Materials



POS	DESCRIPTION	MATERIAL			SPARE PARTS (QTY)
1	BODY	A105	304	316	
2	CLOSURE	A105	304	316	
3	SEAT	PTFE	PTFE	PTFE	2
4	STEM	304	304	316	
5	BALL	304	304	316	ON REQUEST
6	GASKET	PTFE	PTFE	PTFE	1
7	TE SCREW	8,8	8,8	8,8	
8	CHEVRON	RPTFE	RPTFE	RPTFE	1
9	SPRING WASHER	C72	C72	C72	ON REQUEST
10	NUT	65	65	65	ON REQUEST
11	ANATOMIC LEVER	GALV. STEEL	GALV. STEEL	GALV. STEEL	ON REQUEST
12	LOCKING DEVICE	FE410	FE410	FE410	
13	TE SCREW	8,8	8,8	8,8	ON REQUEST
14	LEVER STOP	FE410	FE410	FE410	ON REQUEST
15	WASHER	304	304	304	
16	GASKET	GRAPHITE	GRAPHITE	GRAPHITE	1
17	O-RING	NBR	NBR	NBR	1
18	O-RING	NBR	NBR	NBR	1
19	ANTISTATIC SPRING	304	304	316	
20	ANTISTATIC BALL	304	304	316	

VALVES

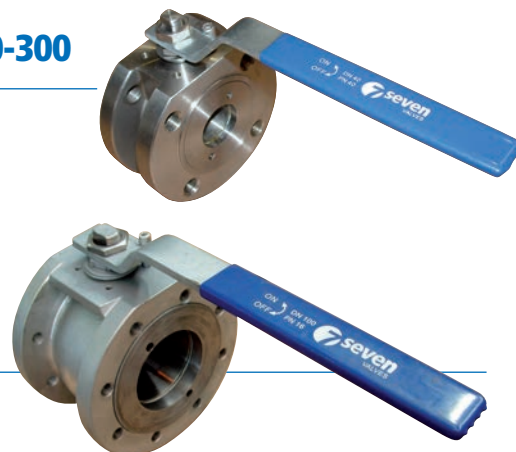
710F

PN 16 - 40 / ANSI 150-300

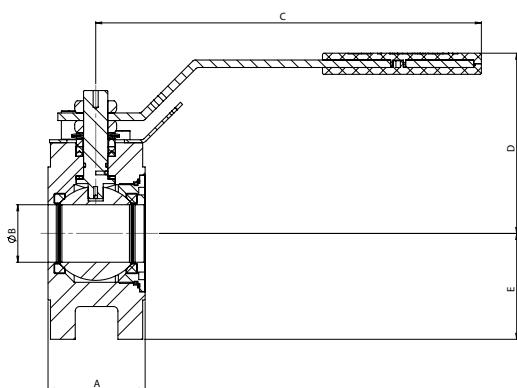
Rating: ANSI 150-300
PN 16-40

PN6, PN10,
PN25
Available
on request

FLOATING WAFER CAST BALL VALVE VALVOLA A SFERA A CORPO PIATTO IN FUSIONE



Dimensions



PN 16-40 / ANSI 150

SIZE	32	40	50	65	80	100	125	150
A	51,2	64,2	80,2	104,2	118,2	150	182	236
B	ø28	ø38	ø49	ø62	ø74	ø100	ø118	ø150
C	171	260	260	333	333	427	427	472
D	101	119	127	147,5	158	174	189	227
E	65	70	75	90	102,5	115	127,5*	165
WEIGHT KG.	4	7	9	16	22	32	45	100

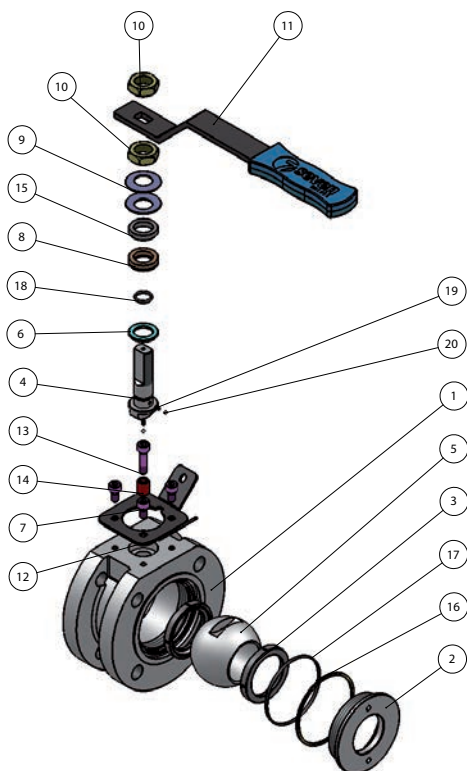
Dimensions in mm
*PN40: DN125 E 135

ANSI 300

SIZE	1 1/4"	1 1/2"	2"	2 1/2"	3"	4"	5"	6"
A	51,2	64,2	80,2	104,2	118,2	150	182	236
B	ø28	ø38	ø49	ø62	ø74	ø100	ø118	ø150
C	171	260	260	333	333	427	427	472
D	101	119	127	147,5	158	174	189	227
E	65	70	75	90	112,5	132,5	135	165
WEIGHT KG.	4	7	9	16	22	32	45	100

Dimensions in mm

Description & Materials



POS	DESCRIPTION	MATERIAL			SPARE PARTS (QTY)
1	BODY	WCB	CF8	CF8M	
2	CLOSURE	A105	304	316	
3	SEAT	PTFE	PTFE	PTFE	2
4	STEM	304	304	316	
5	BALL	304	304	316	ON REQUEST
6	GASKET	PTFE	PTFE	PTFE	1
7	TE SCREW	8,8	8,8	8,8	
8	CHEVRON	RPTFE	RPTFE	RPTFE	1
9	SPRING WASHER	C72	C72	C72	ON REQUEST
10	NUT	65	65	65	ON REQUEST
11	ANATOMIC LEVER	GALV. STEEL	GALV. STEEL	GALV. STEEL	ON REQUEST
12	LOCKING DEVICE	FE410	FE410	FE410	
13	TE SCREW	8,8	8,8	8,8	ON REQUEST
14	LEVER STOP	FE410	FE410	FE410	ON REQUEST
15	WASHER	304	304	304	
16	GASKET	GRAPHITE	GRAPHITE	GRAPHITE	1
17	O-RING	NBR	NBR	NBR	1
18	O-RING	NBR	NBR	NBR	1
19	ANTISTATIC SPRING	304	304	316	
20	ANTISTATIC BALL	304	304	316	



VALVES

711NM PN 16 - 40 / ANSI 150 - 300



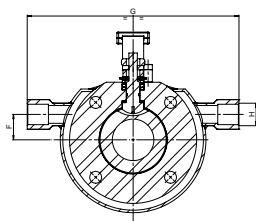
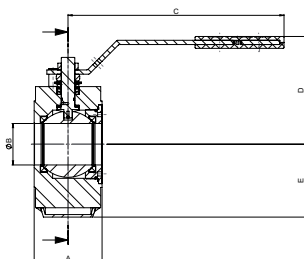
Rating: ANSI 150-300
PN 16-40

PN6, PN10,
PN25
Available
on request

FLOATING WAFER CAST BALL VALVE WITH HEATING CHAMBER

VALVOLA A SFERA A CORPO PIATTO RICAVATA DAL PIENO CON CAMICIA DI RISCALDAMENTO

Dimensions



PN 16-40 / ANSI 150

SIZE	25 1"	32 1 1/4"	40 1 1/2"	50 2"	65 2 1/2"	80 3"	100 4"	125 5"	150 6"
A	43,2	51,2	64,2	80,2	104,2	118,2	150	182	236
B	ø25	ø28	ø38	ø49	ø62	ø74	ø100	ø118	ø150
C	171	171	260	260	333	333	427	427	472
D	97	101	119	127	147,5	158	174	189	227
E	66	76	81	86	105	113	126	146*	176
F	0	25	30	30	45	50	70	80	95
G	190	210	230	250	270	300	340	360	420
H ⁽¹⁾	1/2"	1/2" 3/4"	1/2" 3/4"	1/2" 3/4"	1/2" 3/4"	1/2" 3/4"	1/2" 3/4"	1/2" 3/4"	1/2" 3/4"
WEIGHT KG.	Gas 3,1	Gas 4,4	Gas 7,1	Gas 10,2	Gas 20	Gas 25	Gas 40	Gas 53	Gas 108

Dimensions in mm

*PN40: DN125 E 135

(1) To be defined in the order / Da definire in fase d'ordine

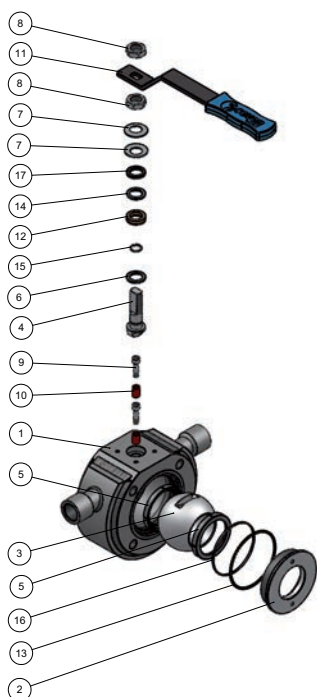
ANSI 300

SIZE	1"	1 1/4"	1 1/2"	2"	2 1/2"	3"	4"	5"	6"
A	43,2	51,2	64,2	80,2	104,2	118,2	150	182	236
B	ø25	ø28	ø38	ø49	ø62	ø74	ø100	ø118	ø150
C	171	171	260	260	333	333	427	427	472
D	97	101	119	127	147,5	158	174	189	227
E	66	76	81	86	105	113	126	146*	176
F	0	25	30	30	45	50	70	80	95
G	190	210	230	250	270	300	340	360	420
H ⁽¹⁾	1/2"	1/2" 3/4"	1/2" 3/4"	1/2" 3/4"	1/2" 3/4"	1/2" 3/4"	1/2" 3/4"	1/2" 3/4"	1/2" 3/4"
WEIGHT KG.	Gas 3,1	Gas 4,4	Gas 7,1	Gas 10,2	Gas 20	Gas 25	Gas 40	Gas 53	Gas 108

Dimensions in mm

(1) To be defined in the order / Da definire in fase d'ordine

Description & Materials



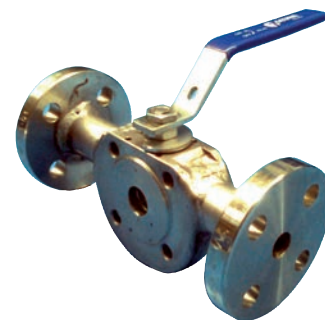
POS	QTY	DESCRIPTION	MATERIAL			SPARE PARTS (QTY)
1	1	BODY BC	A105	304	316	ON REQUEST
2	1	CLOSURE CL	A105	304	316	
3	1	BALL BA	304	304	316	
4	1	ASSEMBLY STEM AS	304	304	316	2
5	2	SEAT SE	PTFE	PTFE	PTFE	
6	1	GASKET GA	PTFE	PTFE	PTFE	1
7	2	SPRING WASHER SW	C72	C72	C72	
8	2	NUT NU	65	65	65	ON REQUEST
9	2	TCEI SCREW TC	8.8	8.8	8.8	
10	2	LEVER STOP LS	FE410	FE410	FE410	ON REQUEST
11	1	ANATOMIC LEVER LE	VARIOUS	VARIOUS	VARIOUS	
12	1	CHEVRON CH	RPTFE	RPTFE	RPTFE	1
13	1	GASKET GA	GRAPHITE	GRAPHITE	GRAPHITE	
14	1	WASHER WA	PTFE	PTFE	PTFE	1
15	1	O-RING OR	NBR	NBR	NBR	
16	1	O-RING OR	NBR	NBR	NBR	1
17	1	GASKET GA	304	304	304	

Heating chamber in stainless steel available
A richiesta con camicia in acciaio inossidabile

VALVES

711NF

PN 16 - 40 / ANSI 150 - 300



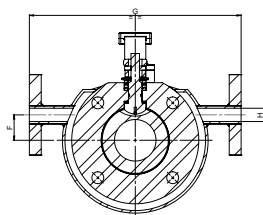
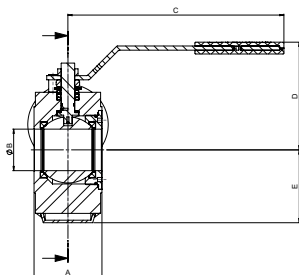
Rating: ANSI 150-300
PN 16-40

PN6, PN10,
PN25
Available
on request

FLOATING WAFER CAST BALL VALVE WITH HEATING CHAMBER

VALVOLA A SFERA A CORPO PIATTO RICAVATA DAL PIENO CON CAMICIA DI RISCALDAMENTO

Dimensions



PN 16-40 / ANSI 150

SIZE	25 1"	32 1 1/4"	40 1 1/2"	50 2"	65 2 1/2"	80 3"	100 4"	125 5"	150 6"
A	43,2	51,2	64,2	80,2	104,2	118,2	150	182	236
B	ø25	ø28	ø38	ø49	ø62	ø74	ø100	ø118	ø150
C	171	171	260	260	333	333	427	427	472
D	97	101	119	127	147,5	158	174	189	227
E	66	76	81	86	105	113	126	146*	176
F	0	25	30	30	45	50	70	80	95
G	190	210	230	250	270	300	340	360	420
H ⁽¹⁾	DN15	DN15/25	DN15/25	DN15/25	DN15/25	DN15/25	DN15/25	DN15/25	DN15/25
WEIGHT KG.	3,1	4,4	7,1	10,2	20	25	40	53	108

Dimensions in mm

*PN40: DN125 E 135

(1) To be defined in the order / Da definire in fase d'ordine

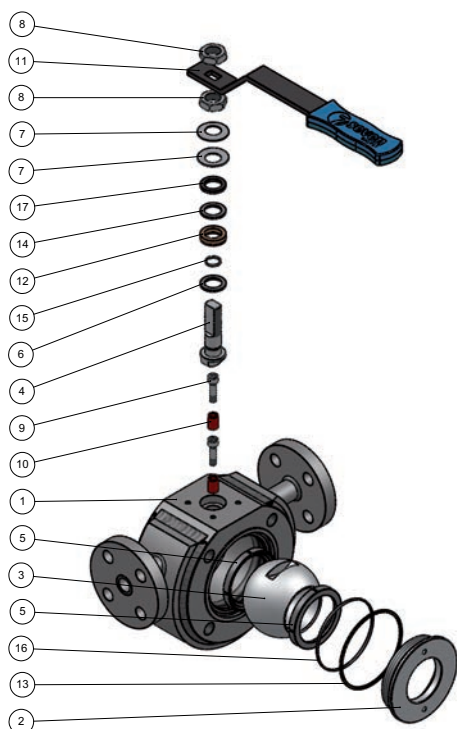
ANSI 300

SIZE	1"	1 1/4"	1 1/2"	2"	2 1/2"	3"	4"	5"	6"
A	43,2	51,2	64,2	80,2	104,2	118,2	150	182	236
B	ø25	ø28	ø38	ø49	ø62	ø74	ø100	ø118	ø150
C	171	171	260	260	333	333	427	427	472
D	97	101	119	127	147,5	158	174	189	227
E	66	76	81	86	105	112,5	100	135	165
F	0	25	30	30	45	50	70	80	95
G	190	210	230	250	270	300	340	360	420
H ⁽¹⁾	DN15	DN15/25	DN15/25	DN15/25	DN15/25	DN15/25	DN15/25	DN15/25	DN15/25
WEIGHT KG.	3,1	4,4	7,1	10,2	20	25	40	53	108

Dimensions in mm

(1) To be defined in the order / Da definire in fase d'ordine

Description & Materials



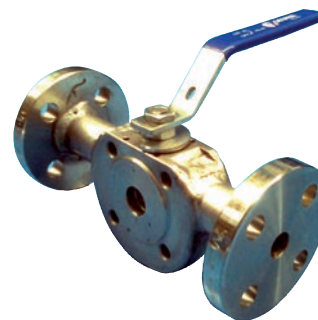
POS	QTY	DESCRIPTION	MATERIAL			SPARE PARTS (QTY)
1	1	BODY BC	A105	304	316	
2	1	CLOSURE CL	A105	304	316	
3	1	BALL BA	304	304	316	ON REQUEST
4	1	ASSEMBLY STEM AS	304	304	316	
5	2	SEAT SE	PTFE	PTFE	PTFE	2
6	1	GASKET GA	PTFE	PTFE	PTFE	1
7	2	SPRING WASHER SW	C72	C72	C72	ON REQUEST
8	2	NUT NU	65	65	65	
9	2	TCEI SCREW TC	8.8	8.8	8.8	ON REQUEST
10	2	LEVER STOP LS	FE410	FE410	FE410	ON REQUEST
11	1	ANATOMIC LEVER LE	VARIOUS	VARIOUS	VARIOUS	ON REQUEST
12	1	CHEVRON CH	RPTFE	RPTFE	RPTFE	1
13	1	GASKET GA	GRAPHITE	GRAPHITE	GRAPHITE	1
14	1	WASHER WA	PTFE	PTFE	PTFE	1
15	1	O-RING OR	NBR	NBR	NBR	1
16	1	O-RING OR	NBR	NBR	NBR	1
17	1	GASKET GA	304	304	304	1

Heating chamber in stainless steel available
A richiesta con camicia in acciaio inossidabile

VALVES

711FF

PN 16 - 40 / ANSI 150 - 300



Rating: ANSI 150-300
PN 16-40

PN6, PN10,
PN25
Available
on request

FLOATING WAFER CAST BALL VALVE WITH HEATING CHAMBER VALVOLA A SFERA A CORPO PIATTO IN FUSIONE CON CAMICIA DI RISCALDAMENTO

Dimensions

PN 16-40 / ANSI 150

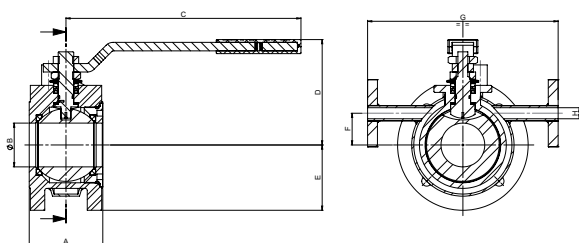
SIZE	40 1 1/2"	50 2"	65 2 1/2"	80 3"	100 4"	125 5"	150 6"
A	64,2	80,2	104,2	118,2	150	182	236
B	ø38	ø49	ø62	ø74	ø100	ø118	ø150
C	260	260	333	333	427	427	472
D	119	127	148	158	174	189	227
E	70	75	94	102,5	115	135*	165
F	30	30	45	50	70	80	95
G	230	250	270	300	340	360	420
H ⁽¹⁾	DN15/25	DN15/25	DN15/25	DN15/25	DN15/25	DN15/25	DN15/25
WEIGHT KG.	5,5	7	16	20	31	38	76

Dimensions in mm *PN40: DN125 E 135 (1) To be defined in the order / Da definire in fase d'ordine

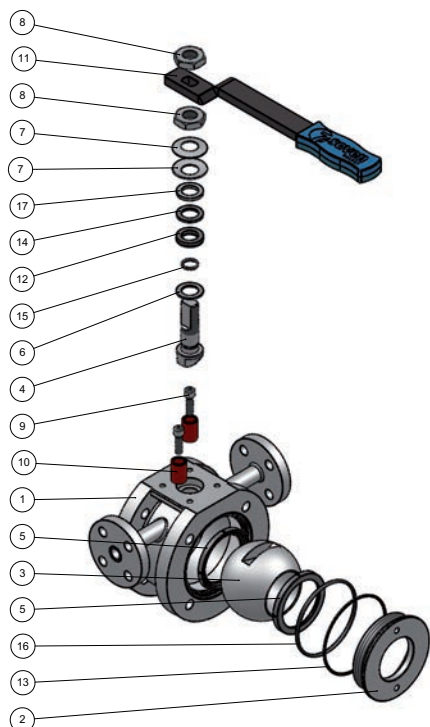
ANSI 300

SIZE	1 1/2"	2"	2 1/2"	3"	4"	5"	6"
A	64,2	80,2	104,2	118,2	150	182	236
B	ø38	ø49	ø62	ø74	ø100	ø118	ø150
C	260	260	333	333	427	427	472
D	119	127	148	158	174	189	227
E	70	75	94	112,5	132,5	135	165
F	30	30	45	50	70	80	95
G	230	250	270	300	340	360	420
H ⁽¹⁾	DN15/25	DN15/25	DN15/25	DN15/25	DN15/25	DN15/25	DN15/25
WEIGHT KG.	5,5	7	16	20	31	38	76

Dimensions in mm 1) To be defined in the order / Da definire in fase d'ordine



Description & Materials



POS	QTY	DESCRIPTION	MATERIAL			SPARE PARTS (QTY)
1	1	BODY BC	A105	304	316	
2	1	CLOSURE CL	A105	304	316	
3	1	BALL BA	304	304	316	ON REQUEST
4	1	ASSEMBLY STEM AS	304	304	316	
5	2	SEAT SE	PTFE	PTFE	PTFE	2
6	1	GASKET GA	PTFE	PTFE	PTFE	1
7	2	SPRING WASHER SW	C72	C72	C72	ON REQUEST
8	2	NUT NU	6S	6S	6S	
9	2	TCEI SCREW TC	8.8	8.8	8.8	ON REQUEST
10	2	LEVER STOP LS	FE410	FE410	FE410	ON REQUEST
11	1	ANATOMIC LEVER LE	VARIOUS	VARIOUS	VARIOUS	ON REQUEST
12	1	CHEVRON CH	RPTFE	RPTFE	RPTFE	1
13	1	GASKET GA	GRAPHITE	GRAPHITE	GRAPHITE	1
14	1	WASHER WA	PTFE	PTFE	PTFE	1
15	1	O-RING OR	NBR	NBR	NBR	1
16	1	O-RING OR	NBR	NBR	NBR	1
17	1	GASKET GA	304	304	304	1

Heating chamber in stainless steel available
A richiesta con camicia in acciaio inossidabile

VALVES

711FM PN 16 - 40 / ANSI 150 - 300



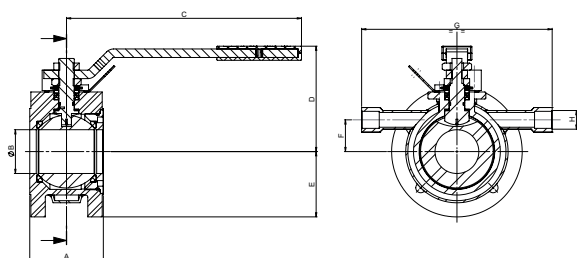
Rating: ANSI 150-300
PN 16-40

PN6, PN10,
PN25
Available
on request

**FLOATING WAFER CAST BALL VALVE
WITH HEATING CHAMBER**
**VALVOLA A SFERA A CORPO PIATTO
IN FUSIONE CON CAMICIA
DI RISCALDAMENTO**

Dimensions

PN 16-40 / ANSI 150



SIZE	40 1 1/2"	50 2"	65 2 1/2"	80 3"	100 4"	125 5"	150 6"
A	64,2	80,2	104,2	118,2	150	182	236
B	ø38	ø49	ø62	ø74	ø100	ø118	ø150
C	260	260	333	333	427	427	472
D	119	127	148	158	174	189	227
E	70	75	94	102,5	115	135*	165
F	30	30	45	50	70	80	95
G	230	250	270	300	340	360	420
H ⁽¹⁾	1/2" 3/4"	1/2" 3/4"	1/2" 3/4"	1/2" 3/4"	1/2" 3/4"	1/2" 3/4"	1/2" 3/4"
WEIGHT KG.	Gas 5,5	Gas 7	Gas 16	Gas 20	Gas 31	Gas 38	Gas 76

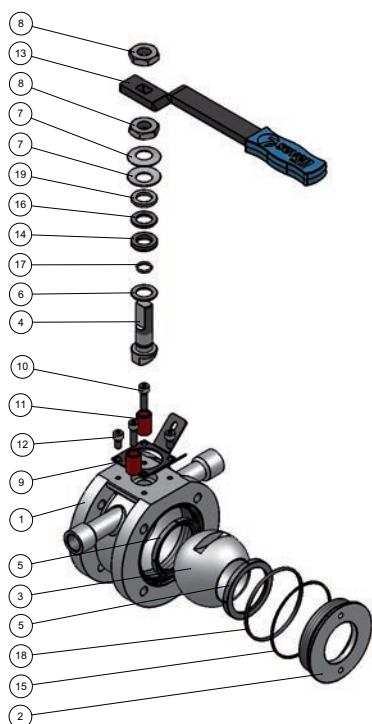
Dimensions in mm *PN40: DN125 E 135 (1) To be defined in the order / Da definire in fase d'ordine

ANSI 300

SIZE	1 1/2"	2"	2 1/2"	3"	4"	5"	6"
A	64,2	80,2	104,2	118,2	150	182	236
B	ø38	ø49	ø62	ø74	ø100	ø118	ø150
C	260	260	333	333	427	427	472
D	119	127	148	158	174	189	227
E	70	75	94	112,5	132,5	135	165
F	30	30	45	50	70	80	95
G	230	250	270	300	340	360	420
H ⁽¹⁾	1/2" 3/4"	1/2" 3/4"	1/2" 3/4"	1/2" 3/4"	1/2" 3/4"	1/2" 3/4"	1/2" 3/4"
WEIGHT KG.	Gas 5,5	Gas 7	Gas 16	Gas 20	Gas 31	Gas 38	Gas 76

Dimensions in mm 1) To be defined in the order / Da definire in fase d'ordine

Description & Materials



POS	QTY	DESCRIPTION	MATERIAL			SPARE PARTS (QTY)
1	1	BODY BC	A105	304	316	
2	1	CLOSURE CL	A105	304	316	
3	1	BALL BA	304	304	316	ON REQUEST
4	1	ASSEMBLY STEM AS	VARIOUS	VARIOUS	VARIOUS	
5	2	SEAT SE	PTFE	PTFE	PTFE	2
6	1	GASKET GA	PTFE	PTFE	PTFE	1
7	2	SPRING WASHER SW	C72	C72	C72	ON REQUEST
8	2	NUT NU	65	65	65	
9	2	TCEI SCREW TC	8.8	8.8	8.8	ON REQUEST
10	2	LEVER STOP LS	FE410	FE410	FE410	ON REQUEST
11	1	ANATOMIC LEVER LE	VARIOUS	VARIOUS	VARIOUS	ON REQUEST
12	1	CHEVRON CH	RPTFE	RPTFE	RPTFE	1
13	1	GASKET GA	GRAPHITE	GRAPHITE	GRAPHITE	1
14	1	WASHER WA	PTFE	PTFE	PTFE	1
15	1	O-RING OR	NBR	NBR	NBR	1
16	1	O-RING OR	NBR	NBR	NBR	1
17	1	GASKET GA	304	304	304	1

Heating chamber in stainless steel available
A richiesta con camicia in acciaio inossidabile

VALVES

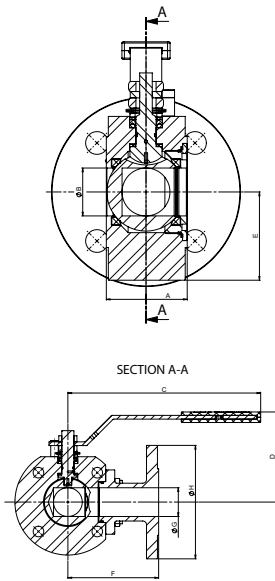
712L

PN 16 - 40 / ANSI 150 - 300

 Rating: ANSI 150-300
PN 16-40

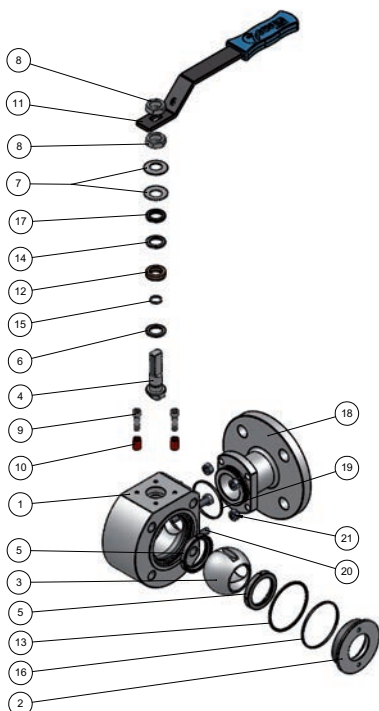
 PN6, PN10,
PN25, PN63,
PN100, ANSI 600
Available
on request

**3 WAYS "L" FLOATING WAFER
FORGED BALL VALVE**
**VALVOLA A SFERA A 3 VIE A L
RICAVATA DAL PIENO**

Dimensions

PN 16

SIZE	DN 15	DN 20	DN 25	DN 32	DN 40	DN 50	DN 65	DN 80	DN 100	DN 125	DN 150
A	35,2	38,2	43,2	51,2	64,2	80,2	104,2	118,2	150	182	236
B	ø13	ø19	ø25	ø28	ø38	ø49	ø62	ø74	ø100	ø118	ø150
C	138,5	138,5	171	171	260	260	333	333	427	427	472
D	85	89	97	101	119	127	147,5	158	174	189	227
E	45	50	55	65	70	75	90	102,5	115	127,5	165
F	85	90	90	105	120	130	150	175	185	200	215
G	13	19	25	28	38	49	62	74	100	118	150
H	95	105	115	140	150	165	185	200	220	250	285
WEIGHT KG.	3	4	4,5	6	9	17	22	30	44	65	111

Dimensions in mm

Description & Materials


POS	DESCRIPTION	MATERIAL			SPARE PARTS (QTY)
1	BODY	A105	304	316	
2	CLOSURE	A105	304	316	
3	BALL	304	304	316	ON REQUEST
4	STEM	304	304	316	
5	SEAT	PTFE	PTFE	PTFE	2
6	WASHER	PTFE	PTFE	PTFE	1
7	SPRING WASHER	C72	C72	C72	ON REQUEST
8	NUT	65	65	65	ON REQUEST
9	TE SCREW	8,8	8,8	8,8	
10	LEVER STOP	FE410	FE410	FE410	ON REQUEST
11	ANATOMIC LEVER	GALV. STEEL	GALV. STEEL	GALV. STEEL	ON REQUEST
12	CHEVRON	RPTFE	RPTFE	RPTFE	
13	GASKET	GRAPHITE	GRAPHITE	GRAPHITE	ON REQUEST
14	GASKET	PTFE	PTFE	PTFE	1
15	O-RING	NBR	NBR	NBR	1
16	GASKET	PTFE	PTFE	PTFE	1
17	WASHER	304	304	304	1
18	3RD WAY	A105	304	316	1
19	O-RING	NBR	NBR	NBR	1
20	BOLT	B7	B8M	B8M	1
21	NUT	2M	8	8M	

VALVES

713T

PN 16 - 40 / ANSI 150 - 300

Rating: ANSI 150-300
PN 16-40

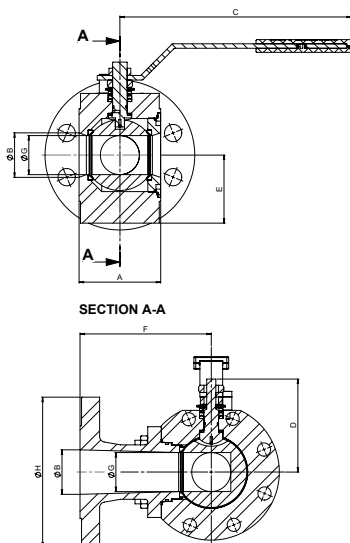
3 WAYS "T" FLOATING WAFER FORGED BALL VALVE

PN6, PN10, PN25, PN63, PN100, ANSI 600
Available on request

VALVOLA A SFERA A 3 VIE A T RICAVATA DAL PIENO



Dimensions

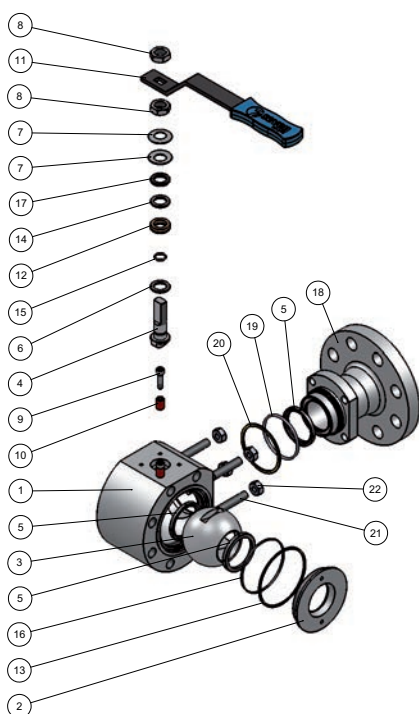


PN 16

SIZE	DN 15	DN 20	DN 25	DN 32	DN 40	DN 50	DN 65	DN 80	DN 100	DN 125	DN 150
A	35,2	38,2	43,2	51,2	64,2	80,2	104,2	118,2	150	182	236
B	ø13	ø19	ø25	ø28	ø38	ø49	ø62	ø74	ø100	ø118	ø150
C	138,5	138,5	171	171	260	260	333	333	427	427	472
D	85	89	97	101	119	127	147,5	158	174	189	227
E	45	50	55	65	70	75	90	102,5	115	127,5	165
F	85	90	90	105	120	130	150	175	185	200	215
G	10	13	19	25	33	43	49	62	74	100	118
H	95	105	115	140	150	165	185	200	220	250	285
WEIGHT KG.	3	4	4,5	6	9	17	22	30	44	65	111

Dimensions in mm

Description & Materials

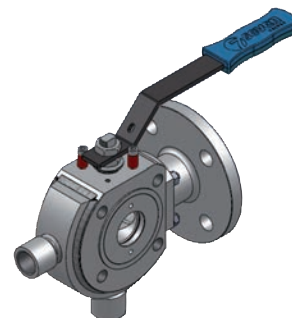


POS	DESCRIPTION	MATERIAL			SPARE PARTS (QTY)
1	BODY	A105	304	316	
2	CLOSURE	A105	304	316	
3	BALL	304	304	316	ON REQUEST
4	STEM	304	304	316	
5	SEAT	PTFE	PTFE	PTFE	2
6	WASHER	PTFE	PTFE	PTFE	1
7	SPRING WASHER	C72	C72	C72	ON REQUEST
8	NUT	65	65	65	ON REQUEST
9	TE SCREW	8,8	8,8	8,8	
10	LEVER STOP	FE410	FE410	FE410	ON REQUEST
11	ANATOMIC LEVER	GALV. STEEL	GALV. STEEL	GALV. STEEL	ON REQUEST
12	CHEVRON	RPTFE	RPTFE	RPTFE	
13	GASKET	GRAPHITE	GRAPHITE	GRAPHITE	ON REQUEST
14	GASKET	PTFE	PTFE	PTFE	1
15	O-RING	NBR	NBR	NBR	1
16	O-RING	NBR	NBR	NBR	1
17	WASHER	304	304	304	1
18	3RD WAY	A105	304	316	1
19	GASKET	PTFE	PTFE	PTFE	1
20	O-RING	NBR	NBR	NBR	1
21	BOLT	B7	B8	B8M	
22	NUT	2M	8	8M	

VALVES

714L

PN 16 - 40 / ANSI 150 - 300



Rating: ANSI 150-300
PN 16-40

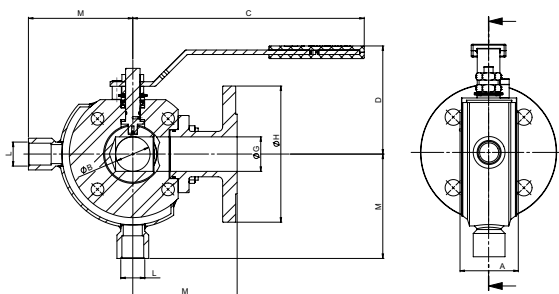
PN6, PN10,
PN25, PN63,
PN100, ANSI 600
Available
on request

3 WAYS "L" FLOATING WAFER FORGED BALL VALVE WITH HEATING CAMBER

VALVOLA A SFERA A 3 VIE A L RICAVATA DAL PIENO CON CAMICIA DI RISCALDAMENTO

Dimensions

PN 16

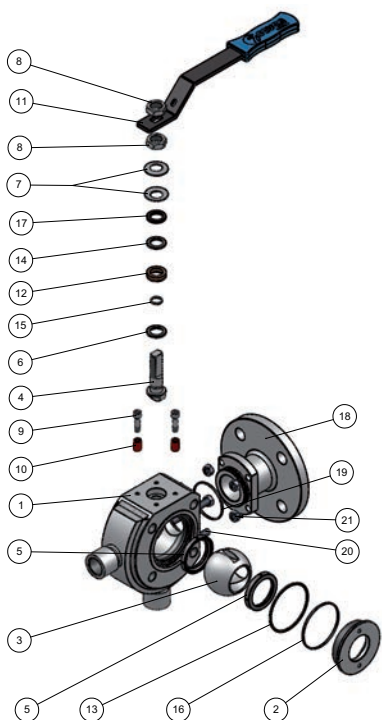


SIZE	DN 40	DN 50	DN 65	DN 80	DN 100	DN 150
A	64,2	80,2	104,2	118,2	150	236
B	ø38	ø49	ø62	ø74	ø100	ø150
C	260	260	333	333	427	472
D	119	127	148	158	174	227
G	38	49	62	74	100	150
H	150	165	185	200	220	285
L ⁽¹⁾	1/2"	1/2"	1/2"	1/2"	1/2"	1/2"
	3/4" Gas DN15/25	3/4" Gas DN15/25	3/4" Gas DN15/25	3/4" Gas DN15/25	3/4" Gas DN15/25	3/4" Gas DN15/25
M	115	125	135	150	170	210
WEIGHT KG.	5,5	7	16	20	31	76

Dimensions in mm

⁽¹⁾ To be defined in the order/Da definire in fase d'ordine

Description & Materials



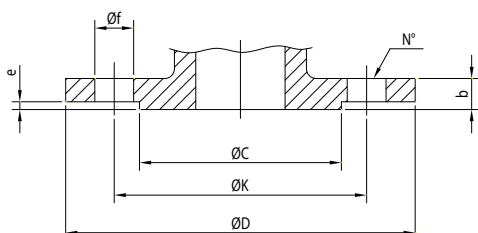
POS	DESCRIPTION	MATERIAL			SPARE PARTS (QTY)
1	BODY	A105	304	316	
2	CLOSURE	A105	304	316	
3	BALL	304	304	316	ON REQUEST
4	STEM	304	304	316	
5	SEAT	PTFE	PTFE	PTFE	2
6	WASHER	PTFE	PTFE	PTFE	1
7	SPRING WASHER	C72	C72	C72	ON REQUEST
8	NUT	65	65	65	ON REQUEST
9	TE SCREW	8,8	8,8	8,8	
10	LEVER STOP	FE410	FE410	FE410	ON REQUEST
11	ANATOMIC LEVER	GALV. STEEL	GALV. STEEL	GALV. STEEL	ON REQUEST
12	CHEVRON	RPTFE	RPTFE	RPTFE	
13	GASKET	GRAPHITE	GRAPHITE	GRAPHITE	ON REQUEST
14	GASKET	PTFE	PTFE	PTFE	1
15	O-RING	NBR	NBR	NBR	1
16	GASKET	PTFE	PTFE	PTFE	1
17	WASHER	304	304	304	1
18	3RD WAY	A105	304	316	1
19	O-RING	NBR	NBR	NBR	1
20	BOLT	B7	B8M	B8M	1
21	NUT	2M	8	8M	

Heating chamber in stainless steel available
A richiesta con camicia in acciaio inossidabile

VALVES

710 / 711 / 712 / 713 / 714

STANDARD THREADED HOLES FORATURE STANDARD

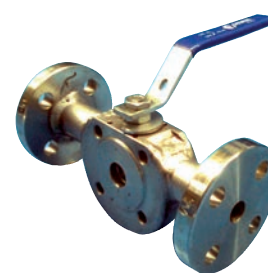


710 / 711

PN 16

PN 40

DN	Nr holes/N° fori	Ø hole/foro	K	Nr holes/N° fori	Ø hole/foro	K
15	4	M12	65	4	M12	65
20	4	M12	75	4	M12	75
25	4	M12	85	4	M12	85
32	4	M16	100	4	M16	100
40	4	M16	110	4	M16	110
50	4	M16	125	4	M16	125
65	4	M16	145	8	M16	145
80	8	M16	160	8	M16	160
100	8	M16	180	8	M20	190
125	8	M16	210	8	M22	220
150	8	M20	240	8	M22	250



PN 63

PN 100

DN	Nr holes/N° fori	Ø hole/foro	K	Nr holes/N° fori	Ø hole/foro	K
15	4	M12	75	4	M12	75
20	4	M12	90	4	M12	90
25	4	M12	100	4	M16	100
32	4	M20	110	4	M20	110
40	4	M20	125	4	M20	125
50	4	M20	135	4	M22	145
65	8	M20	160	8	M22	170
80	8	M20	170	8	M22	180
100	8	M22	200	8	M27	210
125	8	M27	240	8	M30	250
150	8	M30	280	12	M30	290



ANSI 150

ANSI 300

ANSI 600

DN	Nr holes/N° fori	Ø hole/foro	K	Nr holes/N° fori	Ø hole/foro	K	Nr holes/N° fori	Ø hole/foro	K
1/2	4	M12	60,35	4	M12	66,5	4	M12	66,5
3/4	4	M12	69,9	4	M12	82,6	4	M16	82,6
1	4	M12	79,2	4	M16	88,9	4	M16	98,6
1 1/4	4	M12	88,9	4	M16	98,6	4	M16	98,6
1 1/2	4	M12	98,6	4	M20	114,3	4	M20	114,3
2	4	M16	120,7	8	M16	127	8	M16	127
2 1/2	4	M16	139,7	8	M20	149,4	8	M20	149,4
3	4	M16	152,4	8	M20	168,1	8	M20	168,1
4	8	M16	190,5	8	M20	200,2	8	M24	215,9
5	8	M20	215,9	8	M20	234,9	8	M27	266,7
6	8	M20	241,3	12	M20	269,7	12	M27	292,1

UNC threaded holes availables
A richiesta foratura UNC



VALVES

750N

PN 16 - 40

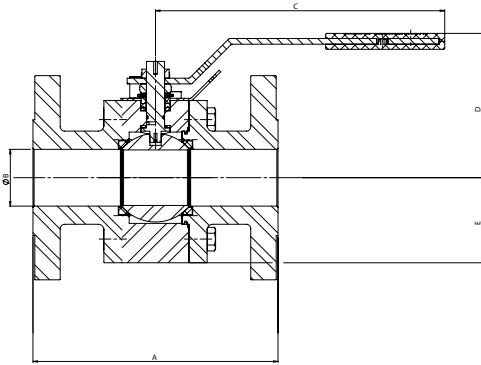
Rating: ANSI 150-600
PN 16-40

PN6, PN420,
ANSI 900-2500
Available on
request

**FLOATING SPLIT BODY FORGED BALL
VALVE FULL BORE
VALVOLA A SFERA FLANGIATA
RICAVATA DAL PIENO A PASSAGGIO PIENO**



Dimensions



SIZE	PN 16											
	DN 15	DN 20	DN 25	DN 32	DN 40	DN 50	DN 65	DN 80	DN 100	DN 125	DN 150	DN 200
A	115	120	125	130	140	150	170	180	190	325	350	400
B	ø13	ø19	ø25	ø28	ø38	ø49	ø62	ø74	ø100	ø118	ø150	200
C	138,5	138,5	171	171	260	260	333	333	427	427	472	
D	85	89	97	101	119	127	147,5	158	174	189	227	
E	47,5	52,5	57,5	70	75	82,5	92,5	100	110	125	142,5	170
WEIGHT KG.	3	4	5,2	7	10	13,5	21,5	26	30,5	61	96	231,5

Dimensions in mm

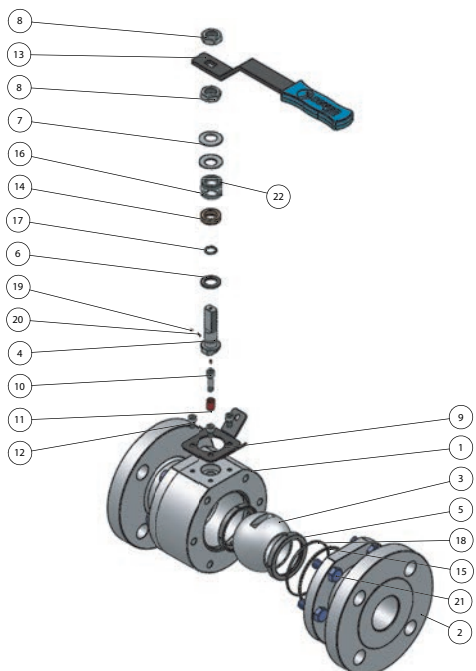
PN 16

PN 40

SIZE	PN 40											
	DN 15	DN 20	DN 25	DN 32	DN 40	DN 50	DN 65	DN 80	DN 100	DN 125	DN 150	
A	115	120	125	130	140	150	170	180	190	325	350	
B	ø13	ø19	ø25	ø28	ø38	ø49	ø62	ø74	ø100	ø118	ø150	
C	138,5	138,5	171	171	260	260	333	333	427	427	472	
D	85	89	97	101	119	127	148	158	174	189	227	
E	47,5	52,5	57,5	70	75	82,5	92,5	100	117,5	135	150	
WEIGHT KG.	3	4	5,2	7	10	13,5	21,5	26	30,5	61	96	

Dimensions in mm

Description & Materials



POS	DESCRIPTION	MATERIAL			SPARE PARTS (QTY)
1	BODY	A105	304	316	
2	CLOSURE	A105	304	316	
3	BALL	304	304	316	ON REQUEST
4	STEM	304	304	316	
5	SEAT	PTFE	PTFE	PTFE	2
6	WASHER	PTFE	PTFE	PTFE	1
7	SPRING WASHER	C72	C72	C72	ON REQUEST
8	NUT	6S	6S	6S	ON REQUEST
9	LOCKING DEVICE	FE410	FE410	FE410	ON REQUEST
10	TE SCREW	8,8	8,8	8,8	ON REQUEST
11	LEVER STOP	FE410	FE410	FE410	ON REQUEST
12	TE SCREW	8,8	8,8	8,8	
13	ANATOMIC LEVER	GALV. STEEL	GALV. STEEL	GALV. STEEL	ON REQUEST
14	CHEVRON	RPTFE	RPTFE	RPTFE	1
15	GASKET	GRAPHITE	GRAPHITE	GRAPHITE	1
16	GASKET	PTFE	PTFE	PTFE	1
17	O-RING	NBR	NBR	NBR	1
18	O-RING	NBR	NBR	NBR	1
19	ANTISTATIC BALL	304	304	316	
20	ANTISTATIC SPRING	304	304	316	
21	BOLT / NUT	B7/2H	B8M/8M	B8M/8M	
22	WASHER	304	304	304	

VALVES

750N

ANSI 150 - 300

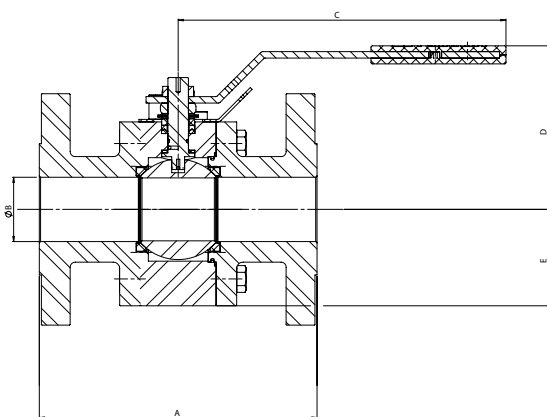
Rating: ANSI 150-600
PN 16-40

PN6, PN420,
ANSI 900-2500
Available
on request

FLOATING SPLIT BODY FORGED BALL VALVE FULL BORE VALVOLA A SFERA FLANGIATA RICAVATA DAL PIENO A PASSAGGIO PIENO



Dimensions



ANSI 150

SIZE	1/2"	3/4"	1"	1 1/2"	2"	3"	4"	6"	8"
A RF	108	117	127	165	178	203	229	394/267*	457,2
A RTJ	121	130	140	178	191	216	241	406	406
A BW	108	117	165	190	216	283	305	457	457
B	ø13	ø19	ø25	ø38	ø49	ø74	ø100	ø150	ø200
C	138,5	138,5	171	260	260	333	427	472	472
D	85	89	97	119	127	158	174	227	227
E	44,5	49,2	54	63,5	76,2	95,2	114,3	139,7	171,5
WEIGHT KG.	2,7	3,6	4,5	9	14,3	25	34	91/72*	232,5

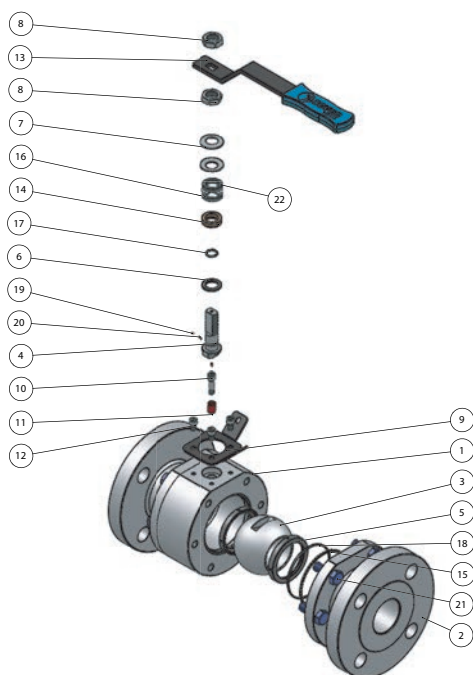
Dimensions in mm
*Short Pattern

ANSI 300

SIZE	1/2"	3/4"	1"	1 1/2"	2"	3"	4"	6"
A RF	140	152	165	190	216	283	305	403
A RTJ	153	165	178	203	232	298	321	419
A BW	140	152	165	190	216	283	305	457
B	ø13	ø19	ø25	ø38	ø49	ø74	ø100	ø150
C	138,5	138,5	171	260	260	333	427	472
D	85	89	97	119	127	158	174	227
E	47,6	58,8	61,9	77,8	82,5	104,8	127	158,8
WEIGHT KG.	4	5,2	6,8	14	19	38	54	130

Dimensions in mm

Description & Materials



POS	DESCRIPTION	MATERIAL			SPARE PARTS (QTY)
1	BODY	A105	304	316	
2	CLOSURE	A105	304	316	
3	BALL	304	304	316	ON REQUEST
4	STEM	304	304	316	
5	SEAT	PTFE	PTFE	PTFE	2
6	WASHER	PTFE	PTFE	PTFE	1
7	SPRING WASHER	C72	C72	C72	ON REQUEST
8	NUT	6S	6S	6S	ON REQUEST
9	LOCKING DEVICE	FE410	FE410	FE410	
10	TE SCREW	8,8	8,8	8,8	ON REQUEST
11	LEVER STOP	FE410	FE410	FE410	ON REQUEST
12	TE SCREW	8,8	8,8	8,8	
13	ANATOMIC LEVER	GALV. STEEL	GALV. STEEL	GALV. STEEL	ON REQUEST
14	CHEVRON	RPTFE	RPTFE	RPTFE	1
15	GASKET	GRAPHITE	GRAPHITE	GRAPHITE	1
16	GASKET	PTFE	PTFE	PTFE	1
17	O-RING	NBR	NBR	NBR	1
18	O-RING	NBR	NBR	NBR	1
19	ANTISTATIC BALL	304	304	316	
20	ANTISTATIC SPRING	304	304	316	
21	BOLT / NUT	B7/2H	B8M/8M	B8M/8M	
22	WASHER	304	304	304	

VALVES

750N

ANSI 600

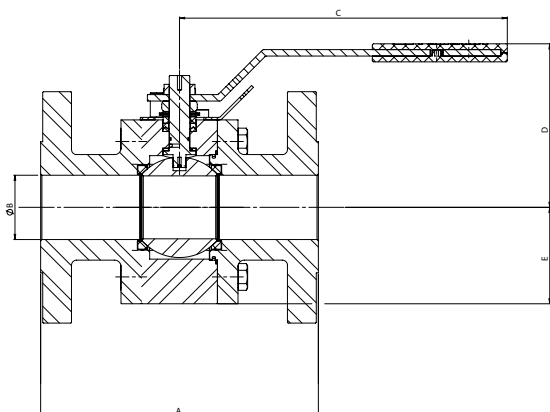
Rating: ANSI 150-600
PN 16-40

PN6, PN420,
ANSI 900-2500
Available on
request

FLOATING SPLIT BODY FORGED BALL VALVE FULL BORE VALVOLA A SFERA FLANGIATA RICAVATA DAL PIENO A PASSAGGIO PIENO



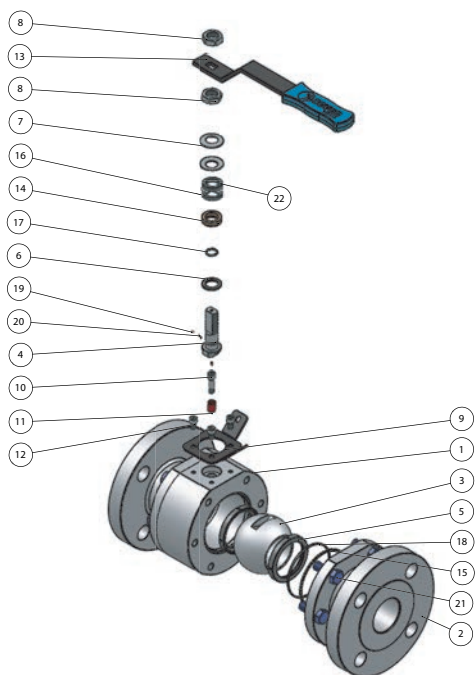
Dimensions



SIZE	1/2"	3/4"	1"	1 1/2"	2"	3"	4"
A RF	165	191	216	241	292	356	432
A RTJ	165	191	216	241	295	359	435
A BW	165	191	216	241	292	356	432
B	ø13	ø19	ø25	ø38	ø49	ø74	ø100
C	138,5	138,5	171	260	260	333	427
D	85	89	97	119	127	158	174
E	47,6	58,8	61,9	77,8	82,6	104,8	136,5
WEIGHT KG.	5,5	7,4	9	18,5	25	50	92

Dimensions in mm

Description & Materials



POS	DESCRIPTION	MATERIAL			SPARE PARTS (QTY)
1	BODY	A105	304	316	
2	CLOSURE	A105	304	316	
3	BALL	304	304	316	ON REQUEST
4	STEM	304	304	316	
5	SEAT	PTFE	PTFE	PTFE	2
6	WASHER	PTFE	PTFE	PTFE	1
7	SPRING WASHER	C72	C72	C72	ON REQUEST
8	NUT	65	65	65	ON REQUEST
9	LOCKING DEVICE	FE410	FE410	FE410	
10	TE SCREW	8,8	8,8	8,8	ON REQUEST
11	LEVER STOP	FE410	FE410	FE410	ON REQUEST
12	TE SCREW	8,8	8,8	8,8	
13	ANATOMIC LEVER	GALV. STEEL	GALV. STEEL	GALV. STEEL	ON REQUEST
14	CHEVRON	RPTFE	RPTFE	RPTFE	1
15	GASKET	GRAPHITE	GRAPHITE	GRAPHITE	1
16	GASKET	PTFE	PTFE	PTFE	1
17	O-RING	NBR	NBR	NBR	1
18	O-RING	NBR	NBR	NBR	1
19	ANTISTATIC BALL	304	304	316	
20	ANTISTATIC SPRING	304	304	316	
21	BOLT / NUT	B7/2H	B8M/8M	B8M/8M	
22	WASHER	304	304	304	

VALVES

760N

PN 16 - 40

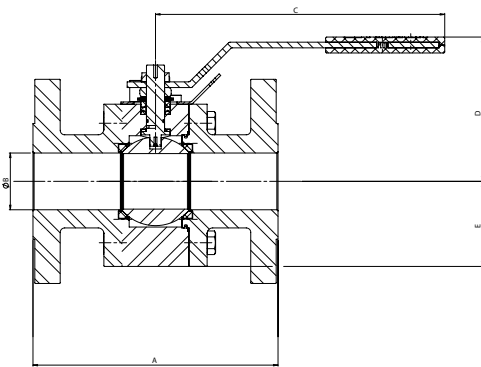
Rating: ANSI 150-600
PN 16-40

PN6, PN420,
ANSI 900-2500
Available
on request

FLOATING SPLIT BODY FORGED BALL VALVE REDUCED BORE VALVOLA A SFERA FLANGIATA RICAVATA DAL PIENO A PASSAGGIO RIDOTTO



Dimensions



PN 16

SIZE	DN 20	DN 25	DN 32	DN 40	DN 50	DN 65	DN 80	DN 100	DN 150
A	120	125	130	140	150	170	180	190	350
B	ø13	ø19	ø25	ø28	ø38	ø62	ø49	ø74	ø100
C	138,5	171	171	260	260	333	333	427	472
D	89	97	101	119	127	148	158	174	227
E	52,5	57,5	70	75	82,5	92,5	100	110	142,5
WEIGHT KG.	4	5,2	7	10	13,5	21,5	26	30,5	96

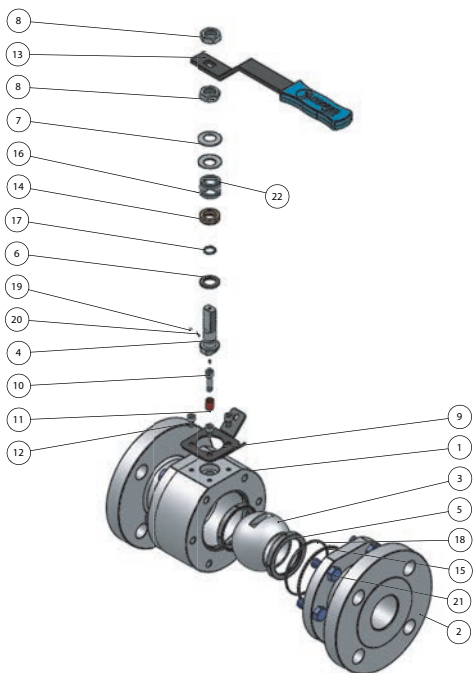
Dimensions in mm

PN 40

SIZE	DN 20	DN 25	DN 32	DN 40	DN 50	DN 65	DN 80	DN 100	DN 150
A	120	125	130	140	150	170	180	190	350
B	ø13	ø19	ø25	ø28	ø38	ø62	ø49	ø74	ø118
C	138,5	171	171	260	260	333	333	427	472
D	89	97	101	119	127	148	158	174	227
E	52,5	57,5	70	75	82,5	92,5	100	117,5	150
WEIGHT KG.	4	5,2	7	10	13,5	21,5	26	30,5	96

Dimensions in mm

Description & Materials



POS	DESCRIPTION	MATERIAL			SPARE PARTS (QTY)
1	BODY	A105	304	316	
2	CLOSURE	A105	304	316	
3	BALL	304	304	316	ON REQUEST
4	STEM	304	304	316	
5	SEAT	PTFE	PTFE	PTFE	2
6	WASHER	PTFE	PTFE	PTFE	1
7	SPRING WASHER	C72	C72	C72	ON REQUEST
8	NUT	65	65	65	ON REQUEST
9	LOCKING DEVICE	FE410	FE410	FE410	
10	TE SCREW	8,8	8,8	8,8	ON REQUEST
11	LEVER STOP	FE410	FE410	FE410	ON REQUEST
12	TE SCREW	8,8	8,8	8,8	
13	ANATOMIC LEVER	GALV. STEEL	GALV. STEEL	GALV. STEEL	ON REQUEST
14	CHEVRON	RPTFE	RPTFE	RPTFE	1
15	GASKET	GRAPHITE	GRAPHITE	GRAPHITE	1
16	GASKET	PTFE	PTFE	PTFE	1
17	O-RING	NBR	NBR	NBR	1
18	O-RING	NBR	NBR	NBR	1
19	ANTISTATIC BALL	304	304	316	
20	ANTISTATIC SPRING	304	304	316	
21	BOLT / NUT	B7/2H	B8M/8M	B8M/8M	
22	WASHER	304	304	304	

VALVES

760N

ANSI 150 - 300

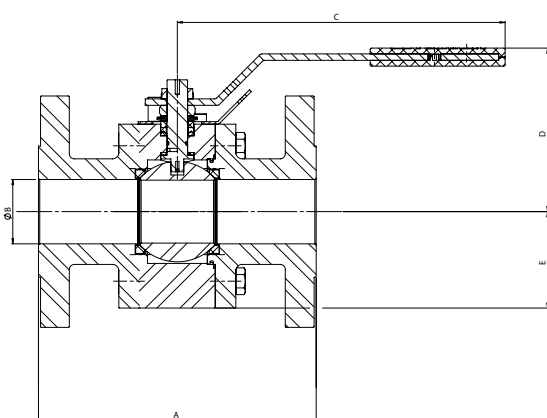
Rating: ANSI 150-600
PN 16-40

PN6, PN420,
ANSI 900-2500
Available
on request

**FLOATING SPLIT BODY FORGED BALL
VALVE REDUCED BORE**
**VALVOLA A SFERA FLANGIATA
RICAVATA DAL PIENO A PASSAGGIO RIDOTTO**



Dimensions



ANSI 150

SIZE	2" x 1 1/2"	3" x 2"	4" x 3"	6" x 4"
A RF	178	203	229	394/267*
A RTJ	191	216	241	406
A BW	216	283	305	457
B	ø38	ø49	ø74	ø100
C	260	333	427	472
D	127	158	174	227
E	76,2	95,2	114,3	139,7
WEIGHT KG.	13	20	28	60

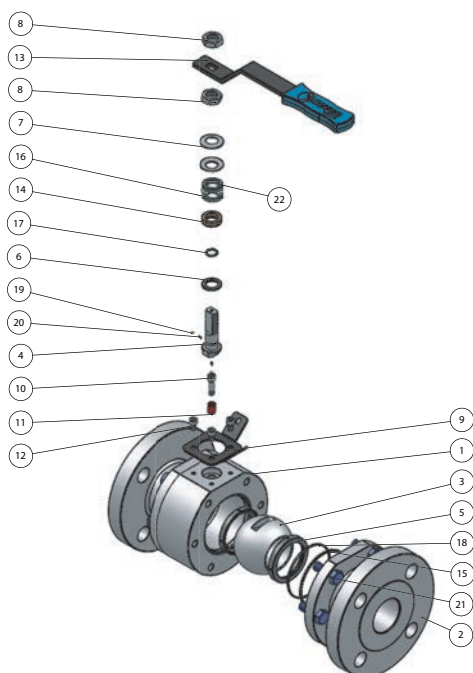
Dimensions in mm
*Short Pattern

ANSI 300

SIZE	2" x 1 1/2"	3" x 2"	4" x 3"	6" x 4"
A RF	216	283	305	403
A RTJ	232	298	321	419
A BW	216	283	305	403
B	ø38	ø49	ø74	ø100
C	260	333	427	472
D	127	158	174	227
E	82,5	105	127	158,8
WEIGHT KG.	17	35	48	67

Dimensions in mm

Description & Materials



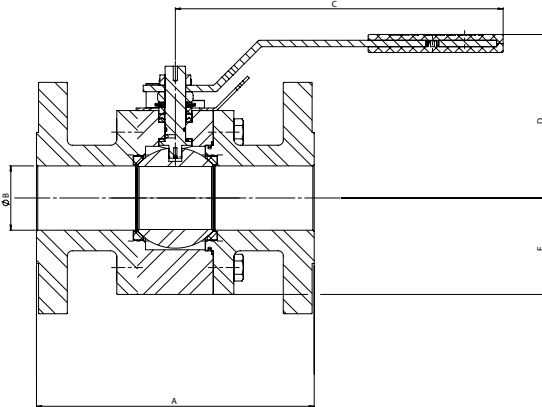
POS	DESCRIPTION	MATERIAL			SPARE PARTS (QTY)
1	BODY	A105	304	316	
2	CLOSURE	A105	304	316	
3	BALL	304	304	316	ON REQUEST
4	STEM	304	304	316	
5	SEAT	PTFE	PTFE	PTFE	2
6	WASHER	PTFE	PTFE	PTFE	1
7	SPRING WASHER	C72	C72	C72	ON REQUEST
8	NUT	65	65	65	ON REQUEST
9	LOCKING DEVICE	FE410	FE410	FE410	
10	TE SCREW	8,8	8,8	8,8	ON REQUEST
11	LEVER STOP	FE410	FE410	FE410	ON REQUEST
12	TE SCREW	8,8	8,8	8,8	
13	ANATOMIC LEVER	GALV. STEEL	GALV. STEEL	GALV. STEEL	ON REQUEST
14	CHEVRON	RPTFE	RPTFE	RPTFE	1
15	GASKET	GRAPHITE	GRAPHITE	GRAPHITE	1
16	GASKET	PTFE	PTFE	PTFE	1
17	O-RING	NBR	NBR	NBR	1
18	O-RING	NBR	NBR	NBR	1
19	ANTISTATIC BALL	304	304	316	
20	ANTISTATIC SPRING	304	304	316	
21	BOLT / NUT	B7/ZH	B8M/8M	B8M/8M	
22	WASHER	304	304	304	

VALVES
760N
ANSI 600

 Rating: ANSI 150-600
PN 16-40

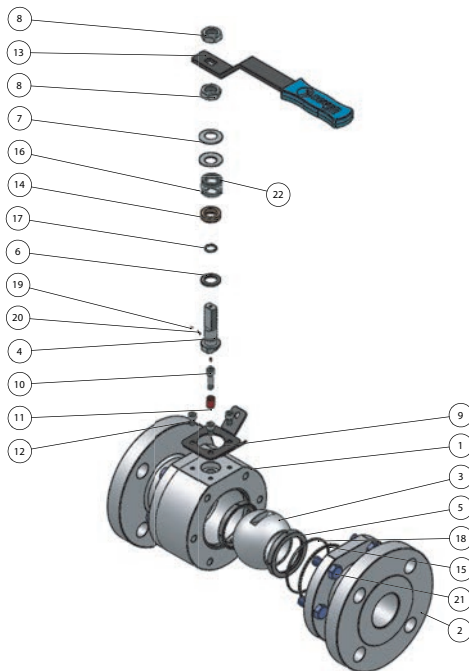
 PN6, PN420,
ANSI 900-2500
Available
on request

**FLOATING SPLIT BODY FORGED BALL
VALVE REDUCED BORE**
**VALVOLA A SFERA FLANGIATA
RICAVATA DAL PIENO A PASSAGGIO RIDOTTO**

Dimensions


SIZE	2" x 1 1/2"	3" x 2"	4" x 3"	6" x 4"
A RF	292	356	432	558,8
A RTJ	295	359	435	-
A BW	292	356	432	558,8
B	ø38	ø49	ø74	ø100
C	260	333	427	472
D	127	158	174	227
E	82,6	104,8	136,5	177,8
WEIGHT KG.	22	35	73	130

Dimensions in mm

Description & Materials


POS	DESCRIPTION	MATERIAL			SPARE PARTS (QTY)
1	BODY	A105	304	316	
2	CLOSURE	A105	304	316	
3	BALL	304	304	316	ON REQUEST
4	STEM	304	304	316	
5	SEAT	PTFE	PTFE	PTFE	2
6	WASHER	PTFE	PTFE	PTFE	1
7	SPRING WASHER	C72	C72	C72	ON REQUEST
8	NUT	6S	6S	6S	ON REQUEST
9	LOCKING DEVICE	FE410	FE410	FE410	
10	TE SCREW	8,8	8,8	8,8	ON REQUEST
11	LEVER STOP	FE410	FE410	FE410	ON REQUEST
12	TE SCREW	8,8	8,8	8,8	
13	ANATOMIC LEVER	GALV. STEEL	GALV. STEEL	GALV. STEEL	ON REQUEST
14	CHEVRON	RPTFE	RPTFE	RPTFE	1
15	GASKET	GRAPHITE	GRAPHITE	GRAPHITE	1
16	GASKET	PTFE	PTFE	PTFE	1
17	O-RING	NBR	NBR	NBR	1
18	O-RING	NBR	NBR	NBR	1
19	ANTISTATIC BALL	304	304	316	
20	ANTISTATIC SPRING	304	304	316	
21	BOLT / NUT	B7/2H	B8M/8M	B8M/8M	
22	WASHER	304	304	304	

VALVES

750F

PN 16 - 40

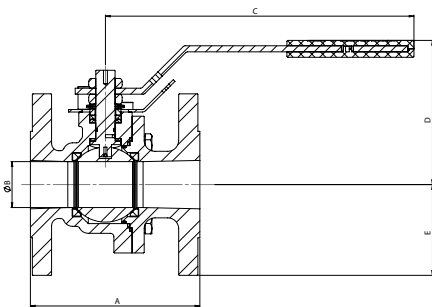
Rating: ANSI 150-300
PN 16-40

PN6, PN10,
PN25
Available
on request

**FLOATING SPLIT BODY CAST
BALL VALVE FULL BORE
VALVOLA A SFERA FLANGIATA
IN FUSIONE A PASSAGGIO PIENO**



Dimensions



SIZE	DN 15	DN 20	DN 25	DN 32	DN 40	DN 50	DN 65	DN 80	DN 100	DN 125	DN 150	DN 200
A	115	120	125	130	140	150	170	180	190	325	350	400
B	ø13	ø19	ø25	ø28	ø38	ø49	ø62	ø74	ø100	ø118	ø150	200
C	138,5	138,5	171	171	260	260	333	333	427	427	472	-
D	85	89	97	101	119	127	147,5	158	174	189	227	-
E	47,5	52,5	57,5	70	75	82,5	92,5	100	110	125	142,5	170
WEIGHT KG.	2,4	3,2	4,2	5,6	8	14,5	16	20	28	48	70	167,5

Dimensions in mm

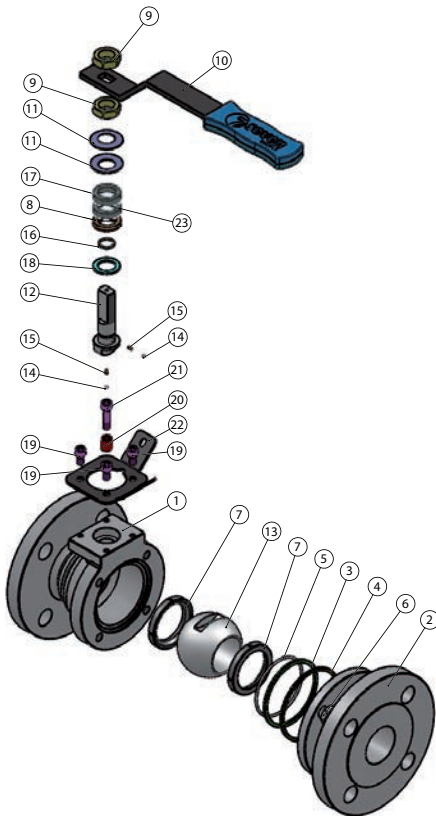
PN 16

PN 40

SIZE	DN 15	DN 20	DN 25	DN 32	DN 40	DN 50	DN 65	DN 80	DN 100	DN 125	DN 150
A	115	120	125	130	140	150	170	180	190	325	350
B	ø13	ø19	ø25	ø28	ø38	ø49	ø62	ø74	ø100	ø118	ø150
C	138,5	138,5	171	171	260	260	333	333	427	427	472
D	85	89	97	101	119	127	148	158	174	189	227
E	47,5	52,5	57,5	70	75	82,5	92,5	100	117,5	135	150
WEIGHT KG.	2,4	3,2	4,2	5,6	8	14,5	16	20	28	48	70

Dimensions in mm

Description & Materials



POS	DESCRIPTION	MATERIAL			SPARE PARTS (QTY)
1	BODY	WCB	CF8	CF8M	
2	CLOSURE	WCB	CF8	CF8M	
3	GASKET	PTFE	PTFE	PTFE	1
4	GASKET	GRAPHITE	GRAPHITE	GRAPHITE	1
5	O-RING	NBR	NBR	NBR	1
6	BOLT / NUT	B7/2H	B8M/8M	B8M/8M	
7	SEAT	PTFE	PTFE	PTFE	2
8	CHEVRON	RPTFE	RPTFE	RPTFE	1
9	NUT	6S	6S	6S	ON REQUEST
10	ANATOMIC LEVER	GALV. STEEL	GALV. STEEL	GALV. STEEL	ON REQUEST
11	SPRING WASHER	C72	C72	C72	ON REQUEST
12	STEM	304	304	316	
13	BALL	304	304	316	ON REQUEST
14	ANTISTATIC BALL	304	304	316	
15	ANTISTATIC SPRING	304	304	316	
16	O-RING	NBR	NBR	NBR	1
17	WASHER	304	304	304	
18	WASHER	PTFE	PTFE	PTFE	1
19	TE SCREW	8,8	8,8	8,8	
20	LEVER STOP	FE410	FE410	FE410	ON REQUEST
21	TE SCREW	8,8	8,8	8,8	ON REQUEST
22	LOCKING DEVICE	FE410	FE410	FE410	
23	GASKET	PTFE	PTFE	PTFE	1

VALVES

750F

ANSI 150 - 300

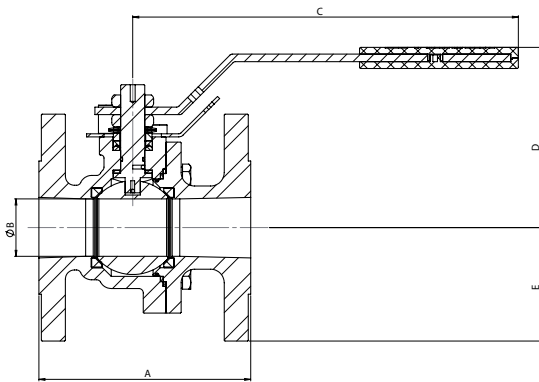
Rating: ANSI 150-300
PN 16-40

PN6, PN10,
PN25
Available
on request

FLOATING SPLIT BODY CAST BALL VALVE FULL BORE VALVOLA A SFERA FLANGIATA IN FUSIONE A PASSAGGIO PIENO



Dimensions



ANSI 150

SIZE	1/2"	3/4"	1"	1 1/2"	2"	3"	4"	6"	8"
A RF	108	117	127	165	178	203	229	394/267*	457,2
A RTJ	121	130	140	178	191	216	241	406	-
A BW	108	117	165	190	216	283	305	457	-
B	ø13	ø19	ø25	ø38	ø49	ø74	ø100	ø150	ø200
C	138,5	138,5	171	260	260	333	427	472	-
D	85	89	97	119	127	158	174	227	-
E	44,5	49,2	54	63,5	76,2	95,2	114,3	139,7	171,5
WEIGHT KG.	2,7	3,6	4,5	9	14,3	25	34	91	158

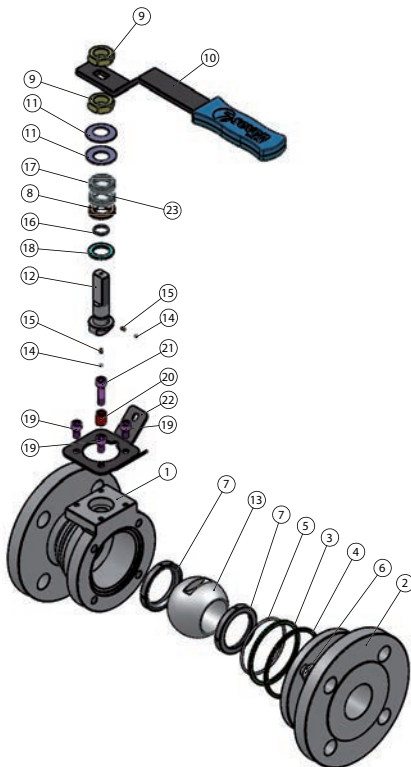
Dimensions in mm
*Short Pattern

ANSI 300

SIZE	1/2"	3/4"	1"	1 1/2"	2"	3"	4"	6"
A RF	140	152	165	190	216	283	305	403
A RTJ	153	165	178	203	232	298	321	419
A BW	140	152	165	190	216	283	305	457
B	ø13	ø19	ø25	ø38	ø49	ø74	ø100	ø150
C	138,5	138,5	171	260	260	333	427	472
D	85	89	97	119	127	158	174	227
E	47,6	58,8	61,9	77,8	82,5	104,8	127	158,8
WEIGHT KG.	4	5,2	6,8	14	19	38	54	130

Dimensions in mm

Description & Materials



POS	DESCRIPTION	MATERIAL			SPARE PARTS (QTY)
1	BODY	WCB	CF8	CF8M	
2	CLOSURE	WCB	CF8	CF8M	
3	GASKET	PTFE	PTFE	PTFE	1
4	GASKET	GRAPHITE	GRAPHITE	GRAPHITE	1
5	O-RING	NBR	NBR	NBR	1
6	BOLT / NUT	B7/2H	B8M/8M	B8M/8M	
7	SEAT	PTFE	PTFE	PTFE	2
8	CHEVRON	RPTFE	RPTFE	RPTFE	1
9	NUT	6S	6S	6S	ON REQUEST
10	ANATOMIC LEVER	GALV. STEEL	GALV. STEEL	GALV. STEEL	ON REQUEST
11	SPRING WASHER	C72	C72	C72	ON REQUEST
12	STEM	304	304	316	
13	BALL	304	304	316	ON REQUEST
14	ANTISTATIC BALL	304	304	316	
15	ANTISTATIC SPRING	304	304	316	
16	O-RING	NBR	NBR	NBR	1
17	WASHER	304	304	304	
18	WASHER	PTFE	PTFE	PTFE	1
19	TE SCREW	8,8	8,8	8,8	
20	LEVER STOP	FE410	FE410	FE410	ON REQUEST
21	TE SCREW	8,8	8,8	8,8	ON REQUEST
22	LOCKING DEVICE	FE410	FE410	FE410	
23	GASKET	PTFE	PTFE	PTFE	1

VALVES

760F

PN 16 - 40

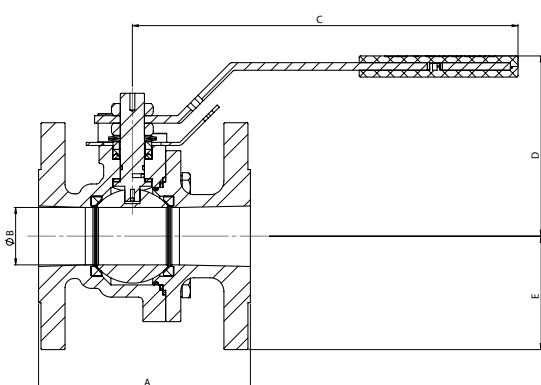
Rating: ANSI 150-300
PN 16-40

PN6, PN10,
PN25
Available
on request

FLOATING SPLIT BODY CAST BALL VALVE REDUCED BORE VALVOLA A SFERA FLANGIATA IN FUSIONE A PASSAGGIO RIDOTTO



Dimensions



PN 16

SIZE	DN 50	DN 80	DN 100	DN 150
A	150	180	190	350
B	ø38	ø49	ø74	ø100
C	260	333	427	472
D	127	158	174	227
E	82,5	100	110	142,5
WEIGHT KG.	11	21	24,4	77

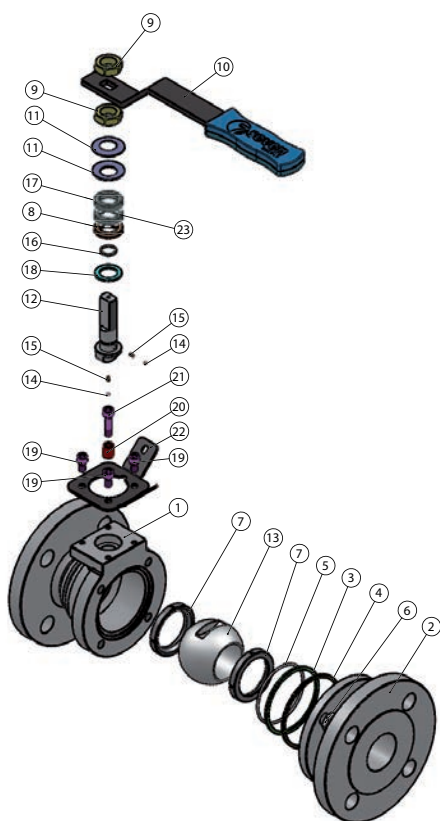
Dimensions in mm

PN 40

SIZE	DN 50	DN 80	DN 100	DN 150
A	150	180	190	350
B	ø38	ø49	ø74	ø100
C	260	333	427	472
D	127	158	174	227
E	82,5	100	117,5	150
WEIGHT KG.	11	21	24,4	96

Dimensions in mm

Description & Materials



POS	DESCRIPTION	MATERIAL			SPARE PARTS (QTY)
1	BODY	WCB	CF8	CF8M	
2	CLOSURE	WCB	CF8	CF8M	
3	GASKET	PTFE	PTFE	PTFE	1
4	GASKET	GRAPHITE	GRAPHITE	GRAPHITE	1
5	O-RING	NBR	NBR	NBR	1
6	BOLT / NUT	B7/2H	B8M/8M	B8M/8M	
7	SEAT	PTFE	PTFE	PTFE	2
8	CHEVRON	RPTFE	RPTFE	RPTFE	1
9	NUT	6S	6S	6S	ON REQUEST
10	ANATOMIC LEVER	GALV. STEEL	GALV. STEEL	GALV. STEEL	ON REQUEST
11	SPRING WASHER	C72	C72	C72	ON REQUEST
12	STEM	304	304	316	
13	BALL	304	304	316	ON REQUEST
14	ANTISTATIC BALL	304	304	316	
15	ANTISTATIC SPRING	304	304	316	
16	O-RING	NBR	NBR	NBR	1
17	WASHER	304	304	304	
18	WASHER	PTFE	PTFE	PTFE	1
19	TE SCREW	8,8	8,8	8,8	
20	LEVER STOP	FE410	FE410	FE410	ON REQUEST
21	TE SCREW	8,8	8,8	8,8	
22	LOCKING DEVICE	FE410	FE410	FE410	
23	GASKET	PTFE	PTFE	PTFE	1

VALVES

760F

ANSI 150 - 300

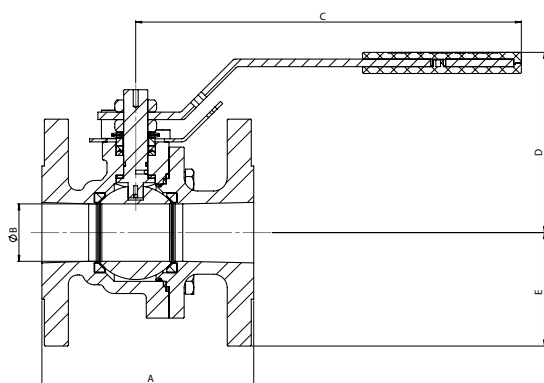
Rating: ANSI 150-300
PN 16-40

PN6, PN10,
PN25
Available
on request

FLOATING SPLIT BODY CAST BALL VALVE REDUCED BORE VALVOLA A SFERA FLANGIATA IN FUSIONE A PASSAGGIO RIDOTTO



Dimensions



ANSI 150

SIZE	2" x 1 1/2"	3" x 2"	4" x 3"	6" x 4"
A RF	178	203	229	394/267*
A RTJ	191	216	241	406
A BW	216	283	305	457
B	ø38	ø49	ø74	ø100
C	260	260	333	427
D	119	127	158	174
E	76,2	95,2	114,3	139,7
WEIGHT KG.	9	19	28	43

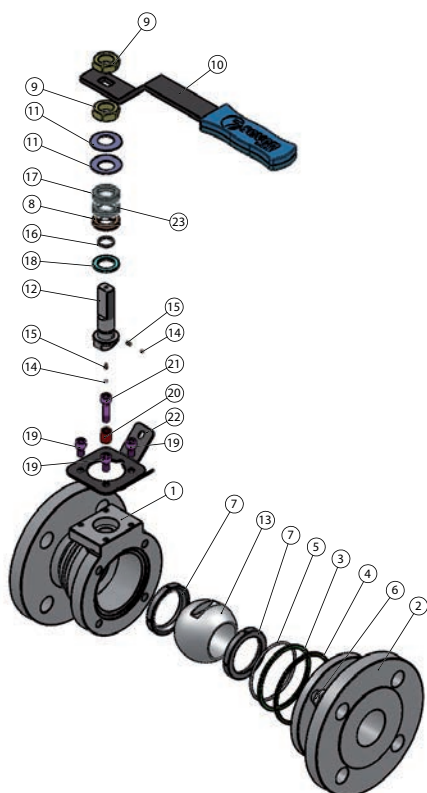
Dimensions in mm
*Short Pattern

ANSI 300

SIZE	2" x 1 1/2"	3" x 2"	4" x 3"	6" x 4"
A RF	216	283	305	403
A RTJ	232	298	321	419
A BW	216	283	305	403
B	ø38	ø49	ø74	ø100
C	260	333	427	472
D	127	158	174	227
E	82,5	84	127	158,8
WEIGHT KG.	15	25	36	67

Dimensions in mm

Description & Materials



POS	DESCRIPTION	MATERIAL			SPARE PARTS (QTY)
1	BODY	WCB	CF8	CF8M	
2	CLOSURE	WCB	CF8	CF8M	
3	GASKET	PTFE	PTFE	PTFE	1
4	GASKET	GRAPHITE	GRAPHITE	GRAPHITE	1
5	O-RING	NBR	NBR	NBR	1
6	BOLT / NUT	B7/2H	B8M/8M	B8M/8M	
7	SEAT	PTFE	PTFE	PTFE	2
8	CHEVRON	RPTFE	RPTFE	RPTFE	1
9	NUT	6S	6S	6S	ON REQUEST
10	ANATOMIC LEVER	GALV. STEEL	GALV. STEEL	GALV. STEEL	ON REQUEST
11	SPRING WASHER	C72	C72	C72	ON REQUEST
12	STEM	304	304	316	
13	BALL	304	304	316	ON REQUEST
14	ANTISTATIC BALL	304	304	316	
15	ANTISTATIC SPRING	304	304	316	
16	O-RING	NBR	NBR	NBR	1
17	WASHER	304	304	304	
18	WASHER	PTFE	PTFE	PTFE	1
19	TE SCREW	8,8	8,8	8,8	
20	LEVER STOP	FE410	FE410	FE410	ON REQUEST
21	TE SCREW	8,8	8,8	8,8	ON REQUEST
22	LOCKING DEVICE	FE410	FE410	FE410	
23	GASKET	PTFE	PTFE	PTFE	1

VALVES

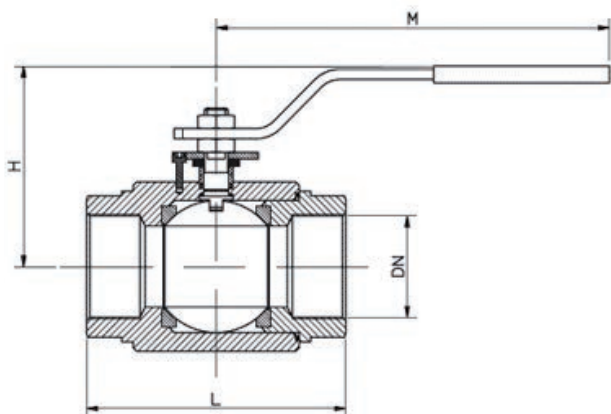
720N

Rating: 800-1500 lbs / 3000 P.s.i.

**THREADED FLOATING 2 PIECES BALL VALVE
FORGED BODY FULL BORE
VALVOLA A SFERA IN 2 PEZZI
RICAVATA DAL PIENO A PASSAGGIO PIENO**



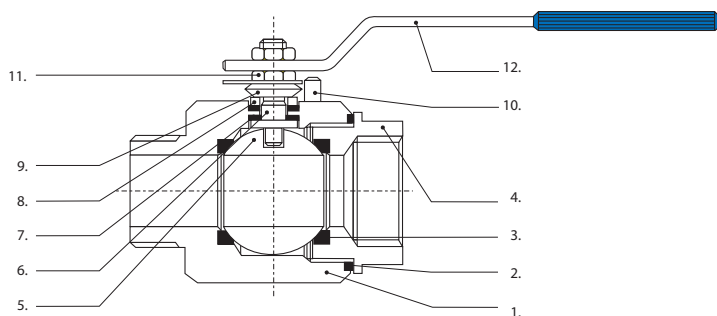
Dimensions



SIZE	1/4"	3/8"	1/2"	3/4"	1"	1 1/4"	1 1/2"	2"
L	67	67	75	90	105	120	135	155
H	48	48	49	55	69	77	84	93
M	148	148	148	180	180	240	240	280
WEIGHT	0,6	0,6	0,8	1,5	2	3,3	4,5	6

Dimensions in mm

Materials



AVAILABLE FEATURES 720N

- NIPPLES WITH SW ENDS
- NIPPLES WITH BW ENDS
- NIPPLES WITH PLAIN ENDS
- GAS/NPT MALE/FEMALE THREAD
- LOCKING DEVICE
- ISO TOP MOUNTING ON REQUEST

POS	DESCRIPTION	MATERIAL		SPARE PARTS (QTY)
1	BODY	ASTM A105	ASTM A 182 F 316	1
2	BODY GASKET	PTFE	PTFE	
3	SEAT	RPTFE/NYLON	RPTFE/NYLON	ON REQUEST
4	CAP	ASTM A105	ASTM A 182 F 316	
5	BALL	ASTM A 182 F 316	ASTM A 182 F 316	1
6	STEM	ASTM A 182 F 316	ASTM A 182 F 316	
7	STEM GASKET	PTFE	PTFE	ON REQUEST
8	GLAND	GALVANIZED STEEL	GALVANIZED STEEL	
9	WASHER	C72	50 CrV4	ON REQUEST
10	PIN	GALVANIZED STEEL	GALVANIZED STEEL	
11	NUT	A 194 Gr1	A 194 Gr1	ON REQUEST
12	LEVER	GALVANIZED STEEL PVC HANDLE	GALVANIZED STEEL PVC HANDLE	

VALVES

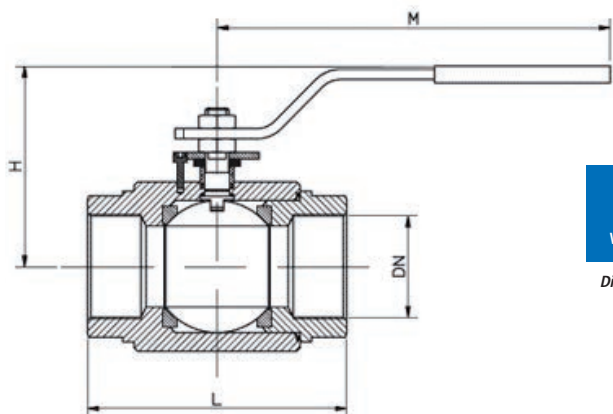
721N

Rating: 800-1500 lbs / 3000 P.s.i.

THREADED FLOATING 2 PIECES BALL VALVE FORGED BODY REDUCED BORE
VALVOLA A SFERA IN 2 PEZZI RICAVATE DAL PIENO A PASSAGGIO RIDOTTO



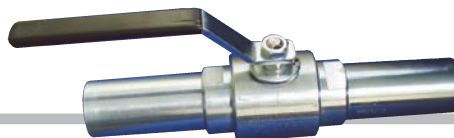
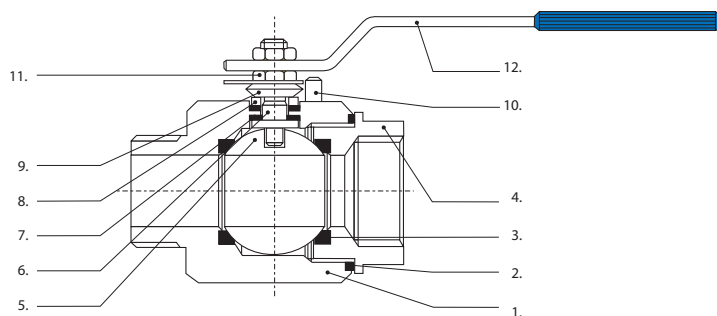
Dimensions



SIZE	3/8"x1/4"	1/2"x3/8"	3/4"x1/2"	1"x3/4"	1 1/4"x1"	1 1/2"x1 1/4"	2"x1 1/2"
L	67	75	90	105	120	135	155
H	48	48	55	69	77	84	93
M	148	148	180	180	240	240	280
WEIGHT	0,6	0,6	0,8	1,5	2	3,3	4,5

Dimensions in mm

Materials



AVAILABLE FEATURES 721N

- NIPPLES WITH SW ENDS
- NIPPLES WITH BW ENDS
- NIPPLES WITH PLAIN ENDS
- GAS/NPT MALE/FEMALE THREAD
- LOCKING DEVICE
- ISO TOP MOUNTING ON REQUEST

POS	DESCRIPTION	MATERIAL	SPARE PARTS (QTY)
1	BODY	ASTM A105	ASTM A 182 F 316
2	BODY GASKET	PTFE	PTFE
3	SEAT	RPTFE/NYLON	RPTFE/NYLON
4	CAP	ASTM A105	ASTM A 182 F 316
5	BALL	ASTM A 182 F 316	ASTM A 182 F 316
6	STEM	ASTM A 182 F 316	ASTM A 182 F 316
7	STEM GASKET	PTFE	PTFE
8	GLAND	GALVANIZED STEEL	GALVANIZED STEEL
9	WASHER	C72	50 CrV4
10	PIN	GALVANIZED STEEL	GALVANIZED STEEL
11	NUT	A 194 Gr1	A 194 Gr1
12	LEVER	GALVANIZED STEEL PVC HANDLE	GALVANIZED STEEL PVC HANDLE

VALVES

720F

PN 63

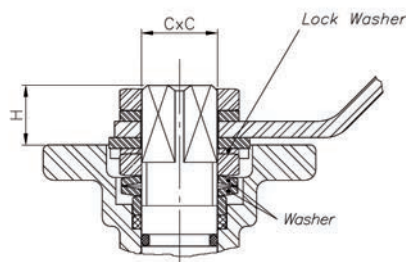
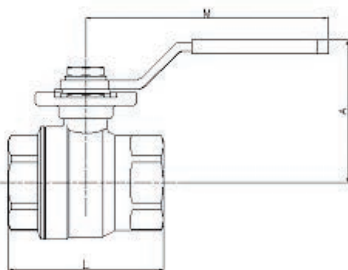
Rating: PN 63

FLOATING 2 PIECES BALL VALVE FULL BORE VALVOLA A SFERA IN 2 PEZZI A PASSAGGIO PIENO

Options available:
720FG GAS ENDS DIN 2999 Std
720FI GAS ENDS DIN 2999 Std & ISO PAD
720FN NPT ENDS ANSI B 2.1



Dimensions



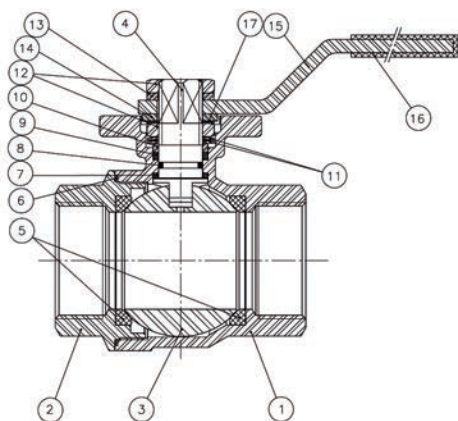
MAIN FEATURES

- Direct mounting actuator according ISO 5211
- Working Temperature -30 °C + 180 °C.
- Blow-out proof stem.

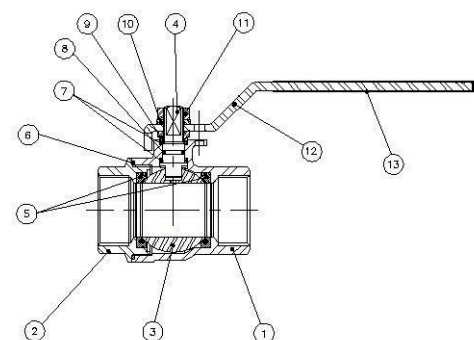
SIZE	1/4"	3/8"	1/2"	3/4"	1"	1 1/4"	1 1/2"	2"
P	11	12,7	15	20	25	32	40	50
A	62	62	63	70	70	88	94	100
L	50	50	55	70,5	83	91	103	120
M	112	112	112	138	138	160	205	205
CxC	9x9	9x9	9x9	11x11	11x11	14x14	14x14	14x14
ISO 5211	F03	F03	F04	F04/F05	F04/F05	F05/F07	F05/F07	F05/F07
Weight	0,3	0,3	0,35	0,56	0,78	1,35	1,9	2,83

Dimensions in mm
Dimension L will be confirmed at the order

Materials



POS	DESCRIPTION	MATERIAL
1	BODY	CF8M
2	CLOSURE	CF8M
3	BALL	CF8M
4	STEM	SS316
5	SEAT	PTFE + 15% Glass
6	GASKET	PTFE
7	TRUST WASHER	PTFE + Graphite
8	ORING	Viton
9	STEM PACKING	PTFE
10	STEM RING	SS304
11	BELLEVILLE WASHER	SS301
12	NUT	SS304
13	WASHER	SS304
14	STOPPER	SS304
15	HANDLE	SS304
16	HANDLE SLEEVE	Vynil
17	LOCK WASHER	SS304



POS	DESCRIPTION	MATERIAL
1	BODY	CF8M
2	CLOSURE	CF8M
3	BALL	SS316
4	STEM	SS316
5	SEAT	PTFE + 15% Glass
6	GASKET	PTFE
7	TRUST WASHER	PTFE
8	ORING	Viton
9	STEM PACKING	SS304
10	WASHER	SS304
11	NUT	SS301
12	HANDLE	SS304
13	HANDLE SLEEVE	Vynil

VALVES

724F

PN 63

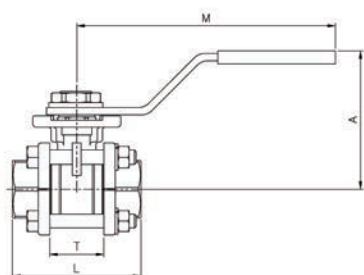
Rating: PN 63

FLOATING 3 PIECES BALL VALVE FULL BORE
VALVOLA A SFERA IN 3 PEZZI
A PASSAGGIO PIENO

Options available:
724FN NPT ENDS ANSI B 2.1
724FG GAS ENDS DIN 2999 Std
724FB BW ENDS ANSI B 16.25
724FS SW ENS ANSI B 16.11

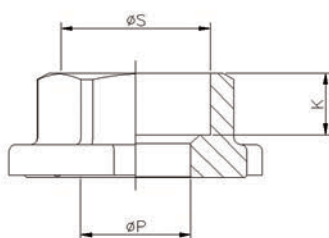
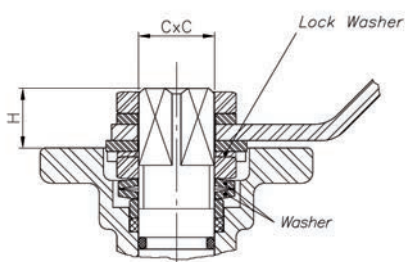


Dimensions

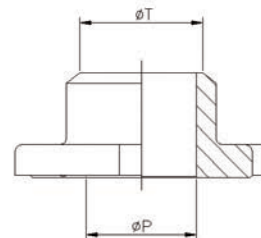


SIZE	1/4"	3/8"	1/2"	3/4"	1"	1 1/4"	1 1/2"	2"	2 1/2"	3"	4"
BW	P 11	12,7	15	20	25	32	40	50	65	80	100
	T 13	14,7	17	22	28	35	43	54	69	87	105
SW	K 10	10	10	14	14	15	15	19	21	24	25
	S 14,1	17,6	21,7	27,1	33,8	42,6	48,7	61,1	73,8	89,9	115,5
	A 60	60	60	70	70	88	94	100	150	165	175
	L 47,6	47,6	55	73	81	91	103	120	155	182	229
	M 112	112	112	138	138	160	205	205	330	330	340
	T 23	23	24	30	33,5	41,5	51,5	63	83,5	100	118,5
	H 10	10	11	11	11	15	15	15	19	19	19
	CxC 9x9	9x9	9x9	11x11	11x11	14x14	14x14	14x14	17x17	17x17	17x17
ISO 5211	F03	F03	F03/F04	F04/F05	F04/F05	F05/F07	F05/F07	F05/F07	F07/F10	F07/F10	F07/F10
Weight	0,38	0,38	0,44	0,82	1,02	1,78	2,47	3,4	8,8	12,35	19,6

Dimensions in mm
Dimension L will be confirmed at the order

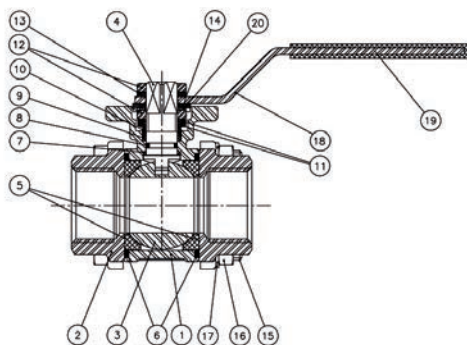


SOCKET WELD ENDS ACCORDING ANSI B 16.11



BUTT WELD ENDS ACCORDING ANSI B 16.25

Materials



MAIN FEATURES

- Direct mounting actuator according ISO 5211
- Working Temperature -30 °C + 180 °C.
- Blow-out proof stem.

POS	DESCRIPTION	MATERIAL
1	BODY	CF8M
2	CLOSURE	CF8M
3	BALL	CF8M
4	STEM	SS316
5	SEAT	PTFE + 15% Glass
6	GASKET	PTFE + Graphite
7	STEM PACKING	PTFE + Graphite
8	ORING	Viton
9	STEM PACKING	PTFE
10	STEM RING	SS304
11	BELLEVILLE WASHER	SS301
12	NUT	SS304
13	WASHER	SS304
14	STOPPER	SS304
15	BOLT	SS304
16	NUT	SS304
17	GROVER WASHER	SS304
18	HANDLE	SS304
19	HANDLE SLEEVE	Vynil
20	LOCK WASHER	SS304

VALVES

724FW

1000 WOG

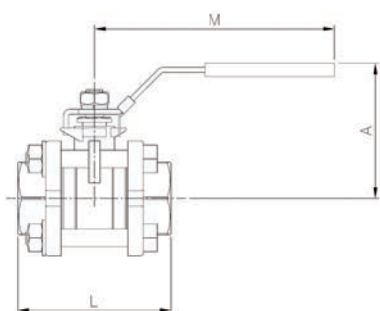
Rating: PN 63

**FLOATING 3 PIECES BALL VALVE FULL BORE
CARBON STEEL
VALVOLA A SFERA IN 3 PEZZI A PASSAGGIO
PIENO IN ACCIAIO AL CARBONIO**

Options available:
724FWN NPT ENDS ANSI B 2.1
724FWG GAS ENDS DIN 2999 Std
724FWS SW ENS ANSI B 16.11

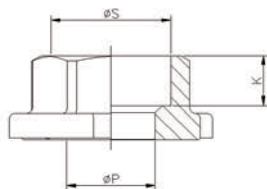


Dimensions

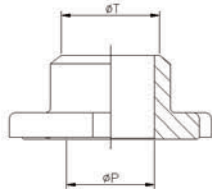


SIZE	1/4"	3/8"	1/2"	3/4"	1"	1 1/4"	1 1/2"	2"	2 1/2"	3"	4"
P	11,6	11,6	15	20	25	32	40	50	65	80	100
K	10	10	10	14	14	15	15	19	21	24	25
S	14,1	17,6	21,7	27,1	33,8	42,6	48,7	61,1	73,8	89,9	115,5
A	48	48	50	60	64	79	85	87	117	125	173
L	50	50	61	70	80	93	102	124	156	179	218
M	100	100	103	127	127	154	154	192	244	244	330
Weight	0,29	0,29	0,39	0,61	0,86	1,37	2,04	3,74	6,44	10,2	20,49

Dimensions in mm
Dimension L will be confirmed at the order



SOCKET WELD ENDS ACCORDING ANSI B 16.11

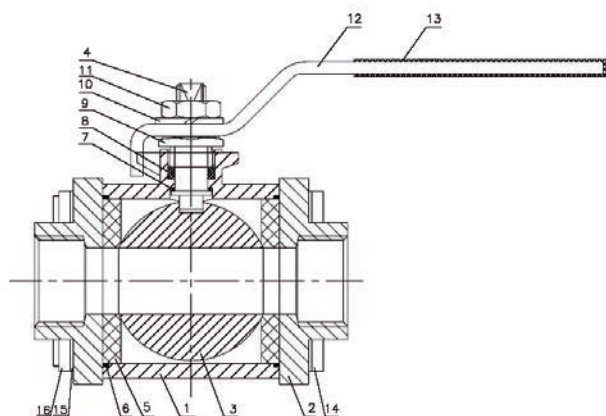


BUTT WELD ENDS ACCORDING ANSI B 16.25

MAIN FEATURES

- Working Temperature -25 °C + 180 °C.
- Locking system
- Blow-out proof stem

Materials



POS	DESCRIPTION	MATERIAL
1	BODY	WCB
2	CLOSURE	WCB
3	BALL	SS316
4	STEM	SS316
5	SEAT	PTFE + 15% Glass
6	GASKET	PTFE
7	THRUST WASHER	PTFE
8	STEM PACKING	PTFE
9	GLAND	SS304
10	SPRING WASHER	SS304
11	NUT	SS304
12	HANDLE	SS304
13	HANDLE SLEEVE	PLASTIC
14	BOLT	SS304
15	SPRING WASHER	SS304
16	NUT	SS304

VALVES OPTIONS

OPZIONI VALVOLE

Sealing Materials

All our valves can be supplied with different sealing material depending on the service/fluid conditions.

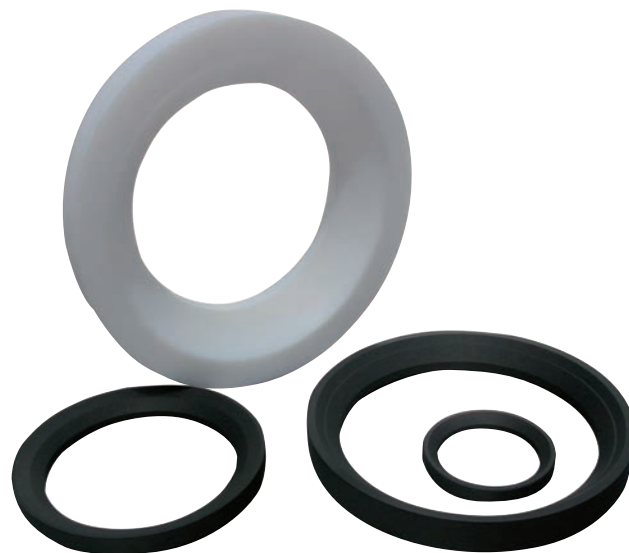
The option available are:

- PTFE
- Glass filled PTFE
- Graphite filled PTFE
- Carbon filled PTFE
- Steel filled PTFE
- PCTFE
- Nylon 06
- Nylon 10
- Nylon 12
- PEEK
- Polyimide (Vespe[®])
- Metal to Metal (TCC, SCC)
- Viton GLT
- Viton A
- EPDM
- Nitrile
- Viton AED
- HNBR

Materiali di tenuta

Tutte le nostre valvole sono fornibili con diversi materiali delle guarnizioni in funzione delle condizioni di servizio e del tipo di fluido.

- PTFE
- PTFE caricato vetro
- PTFE caricato grafite
- PTFE caricato carbone
- PTFE caricato acciaio
- PCTFE
- Nylon 06
- Nylon 10
- Nylon 12
- PEEK
- Polyimide (Vespe[®])
- Rivestimenti metallici (TCC, SCC)
- Viton GLT
- Viton A
- EPDM
- Nitrile
- Viton AED
- HNBR



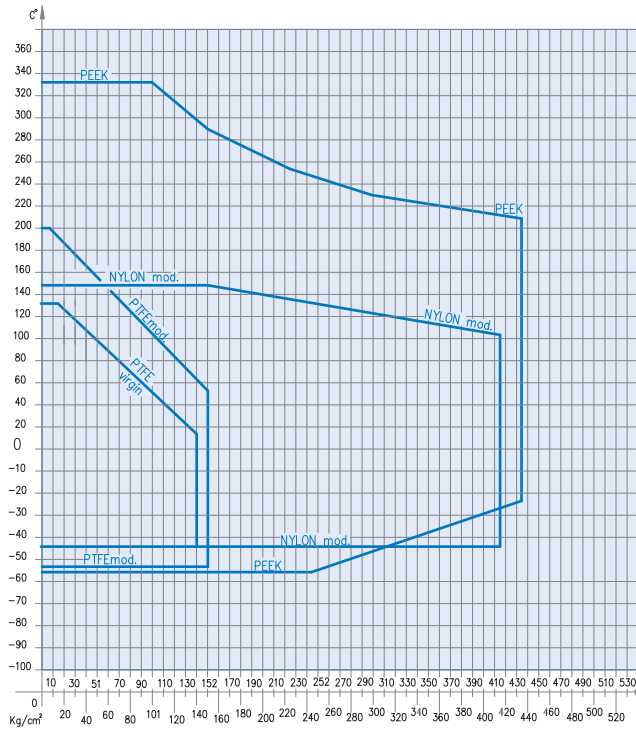
For special purposes the valves can be with PTFE pocket less seats.

Per impieghi particolari le valvole possono essere equipaggiate con seggi a tenuta integrale.

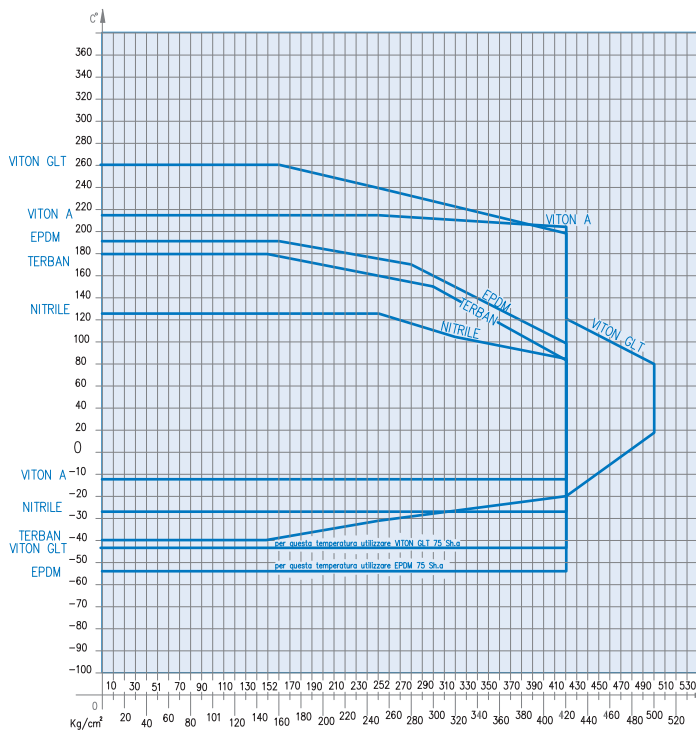


VALVES OPTIONS - MATERIAL PERFORMANCE CHART

OPZIONI VALVOLE - DIAGRAMMI PRESSIONE/TEMPERATURA

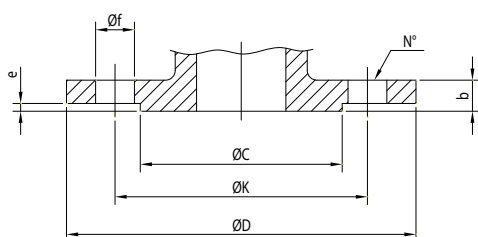


Pressure/temperature diagrams
Diagrammi pressione/temperatura



VALVES

FLANGE DIMENSION UNI EN 1092-1

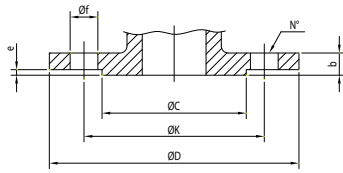


DIMENSIONI FLANGE UNI EN 1092-1

DN	Ref.	10	15	20	25	32	40	50	65	80	100	125	150	200	250	300
PN 10	D	90	95	105	115	140	150	165	185	200	220	250	285	340	395	445
	C	40	45	58	68	78	88	102	122	138	158	188	212	268	320	370
	K	60	65	75	85	100	110	125	145	160	180	210	240	295	350	400
	N°	4	4	4	4	4	4	4	4*	8	8	8	8	8	12	12
	f	14	14	14	14	18	18	18	18	18	18	18	18	22	22	22
	b	16	16	18	18	18	18	18	18	18	20	20	22	22	24	26
PN 16	e	2	2	2	2	2	3	3	3	3	3	3	3	3	3	4
	D	90	95	105	115	140	150	165	185	200	220	250	285	340	405	460
	C	40	45	58	68	78	88	102	122	138	158	188	212	268	320	378
	K	60	65	75	85	100	110	125	145	160	180	210	240	295	355	410
	N°	4	4	4	4	4	4	4	4*	8	8	8	8	12	12	12
	F	14	14	14	14	18	18	18	18	18	18	18	18	22	22	26
PN 25	b	16	16	18	18	18	18	18	18	20	20	22	22	24	26	28
	e	2	2	2	2	2	3	3	3	3	3	3	3	3	3	4
	D	90	95	105	115	140	150	165	185	200	235	270	300	360	425	485
	C	40	45	58	68	78	88	102	122	138	162	188	218	278	335	395
	K	60	65	75	85	100	110	125	145	160	190	220	250	310	370	430
	N°	4	4	4	4	4	4	4	8	8	8	8	8	12	12	16
PN 40	f	14	14	14	14	18	18	18	18	18	22	26	26	26	30	30
	b	16	16	18	18	18	18	20	22	24	24	26	28	30	32	34
	e	2	2	2	2	2	3	3	3	3	3	3	3	3	3	4
	D	90	95	105	115	140	150	165	185	200	235	270	300	375	450	515
	C	40	45	58	68	78	88	102	122	138	162	188	218	285	345	410
	K	60	65	75	85	100	110	125	145	160	190	220	250	320	385	450
PN 63	N°	4	4	4	4	4	4	4	8	8	8	8	8	12	12	16
	f	14	14	14	14	18	18	18	18	18	22	26	26	30	33	33
	b	16	16	18	18	18	18	20	22	24	24	26	28	34	38	42
	e	2	2	2	2	2	3	3	3	3	3	3	3	3	3	4
	D	100	105	130	140	155	170	180	205	215	250	295	345	415	470	530
	C	40	45	58	68	75	88	102	122	138	162	188	218	285	345	410
PN 100	K	70	75	90	100	110	125	135	160	170	200	240	280	345	400	460
	N°	4	4	4	4	4	4	4	8	8	8	8	8	12	12	16
	f	14	14	18	18	22	22	22	22	22	26	30	33	36	36	36
	b	20	20	22	24	24	26	26	26	28	30	34	36	42	46	52
	e	2	2	2	2	2	3	3	3	3	3	3	3	3	3	4
	D	100	105	130	140	155	170	195	220	230	265	315	355	430	505	585
PN 160	C	40	45	58	68	75	88	102	122	138	162	188	218	285	345	410
	K	70	75	90	100	110	125	145	170	180	210	250	290	360	430	500
	N°	4	4	4	4	4	4	4	8	8	8	8	12	12	12	16
	f	14	14	18	18	22	22	26	26	26	30	33	33	36	39	42
	b	20	20	22	24	24	26	28	30	32	36	40	44	52	60	68
	e	2	2	2	2	2	3	3	3	3	3	3	3	3	3	4
PN 160	D	100	105	130	140	155	170	195	220	230	265	315	355	430	515	585
	C	40	45	58	68	75	88	102	122	138	162	188	218	285	345	410
	K	70	75	90	100	110	125	145	170	180	210	250	290	360	430	500
	N°	4	4	4	4	4	4	4	8	8	8	8	12	12	12	16
	f	14	14	18	18	22	22	26	26	26	30	33	33	36	42	42
	b	20	20	22	24	26	28	30	34	36	40	44	50	60	68	78
PN 160	e	2	2	2	2	2	3	3	3	3	3	3	3	3	3	4

VALVES

FLANGE DIMENSION B 16.5



DIMENSIONI FLANGE ANSI B 16.5

DN	Ref.	1/2"	3/4"	1"	1 1/4"	1 1/2"	2"	2 1/2"	3"	4"	5"	6"	8"
ANSI 150 RF	D	88.9	98.6	108	117.4	127	152.4	177.8	190.5	228.6	254	279.4	342.9
	C	35.1	43	50.8	63.5	73.1	92	104.7	127	157.3	185.7	215.9	269.8
	K	60.35	69.9	79.2	88.9	98.6	120.7	139.7	152.4	190.5	215.9	241.3	298.5
	N°	4	4	4	4	4	4	4	4	8	8	8	8
	f	15.8	15.8	15.8	15.8	19.1	19.1	19.1	19.1	19.1	22.4	22.4	22.4
	b	11.2	12.7	14.3	15.8	17.6	19.1	22.4	23.9	23.9	23.9	25.4	28.5
	e	1.6	1.6	1.6	1.6	1.6	1.6	1.6	1.6	1.6	1.6	1.6	1.6
ANSI 300 RF	D	95.3	117.4	124	133.4	155.5	165.1	190.5	209.6	254	279.4	317.5	381
	C	35.1	43	50.8	63.5	73.2	92	104.7	127	157.3	185.7	215.9	269.8
	K	66.5	82.6	88.9	98.6	114.3	127	149.4	168.1	200.2	134.9	269.7	330.2
	N°	4	4	4	4	4	8	8	8	8	8	12	12
	f	15.8	19.1	19.1	19.1	22.4	19.1	22.4	22.4	22.4	22.4	22.4	25.4
	b	14.3	15.8	17.6	19.1	20.6	22.4	25.4	28.5	31.8	35.1	36.6	41.2
	e	1.6	1.6	1.6	1.6	1.6	1.6	1.6	1.6	1.6	1.6	1.6	1.6
ANSI 600 RF	D	95.3	117.4	133.4	133.4	155.5	165.1	190.5	209.6	273.1	330.2	355.6	
	C	35.1	43	63.5	63.5	73.2	92	104.7	127	157.3	185.7	215.9	
	K	66.5	82.6	98.6	98.6	114.3	127	149.4	168.1	215.9	266.7	292.1	
	N°	4	4	4	4	4	8	8	8	8	8	12	
	f	15.8	19.1	19.1	19.1	22.4	19.1	22.4	22.4	25.4	28.5	28.5	
	b	20.7	22.2	27	27	28.8	31.8	34.9	38.2	44.5	50.9	54.2	
	e	6.4	6.4	6.4	6.4	6.4	6.4	6.4	6.4	6.4	6.4	6.4	

VALVES

710 / 711 / 712 / 713 / 714

TOP MOUNTING & TORQUES TOP MOUNTING E COPPIE

PN 16-40

SIZE	DN 15	DN 20	DN 25	DN 32	DN 40	DN 50	DN 65	DN 80	DN 100	DN 125	DN 150	DN 200
ISO 5211 Nm	F03 8	F03 11	F03 15	F03 19	F05 33	F05 44	F07 77	F07 100	F10 165	F10 200	F10 230	F10 350

ANSI 150 - 300

SIZE	1/2"	3/4"	1"	1 1/4"	1 1/2"	2"	2 1/2"	3"	4"	5"	6"	8"
ISO 5211 Nm	F03 8	F03 11	F03 15	F03 19	F05 33	F05 44	F07 77	F07 100	F10 165	F10 200	F10 230	F14 350

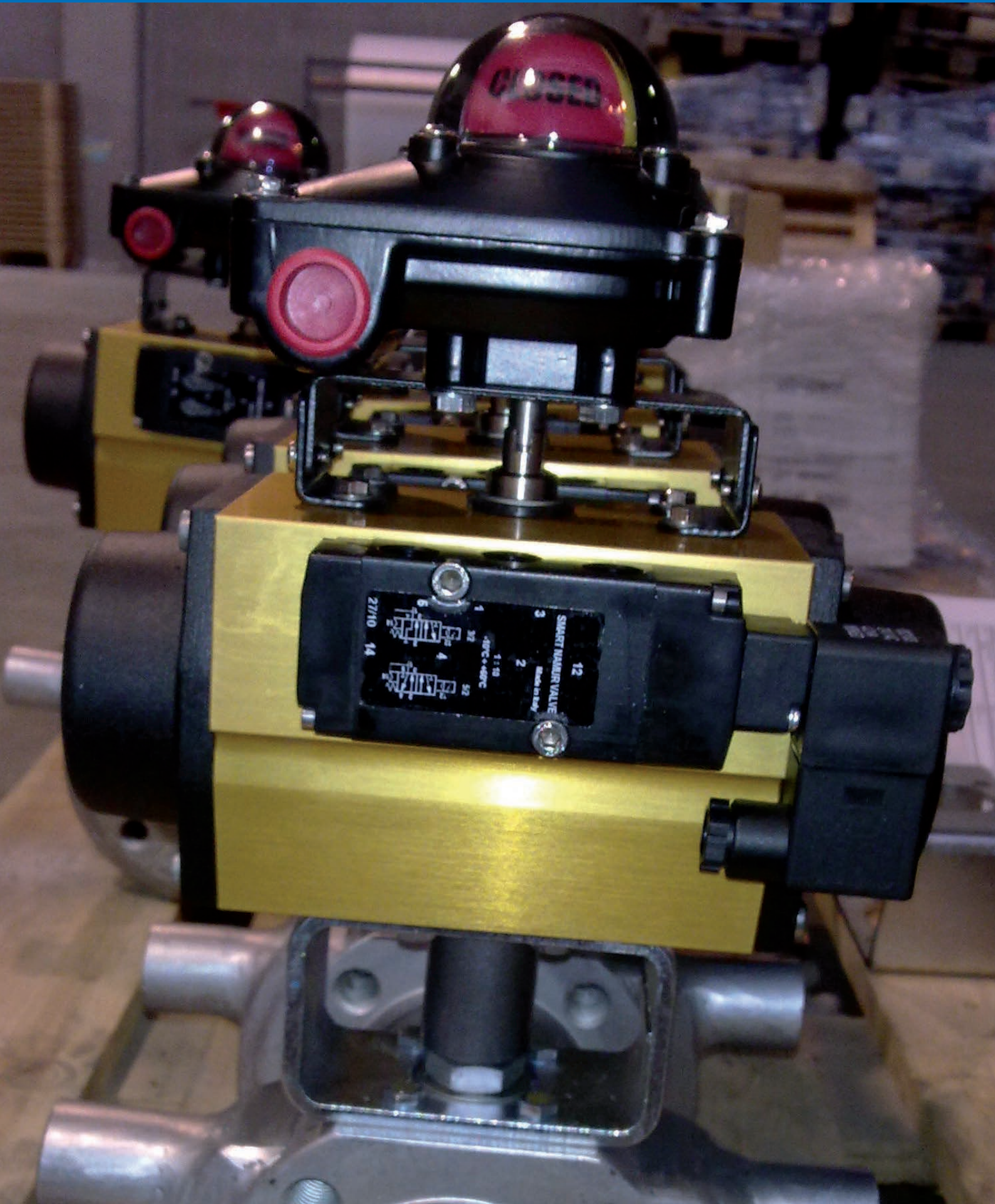
PN 63 - 100

SIZE	DN 15	DN 20	DN 25	DN 32	DN 40	DN 50	DN 65	DN 80	DN 100
ISO 5211 Nm	F03 11	F03 15	F03 19	F05 33	F05 44	F07 77	F07 100	F10 165	F10 230

ANSI 600

SIZE	1/2"	3/4"	1"	1 1/4"	1 1/2"	2"	2 1/2"	3"	4"
ISO 5211 Nm	F03 11	F03 15	F03 19	F05 33	F05 44	F07 77	F07 100	F10 165	F10 230

Torques with ($\Delta p=0$) and PTFE seats / Coppie con ($\Delta p=0$) seggi in PTFE



ACCESSORIES / ACCESSORI

The Seven ball valves are suitable for automated lines and can be assembled with a wide range of actuators, including automation accessories such as boxes actuators, solenoid valves, limit switches, pressure regulators, etc.

Le valvole sfera Seven sono adatte all'impiego su linee automatiche e possono essere equipaggiate con un'ampia gamma di accessori come attuatori, box, elettrovalvole, limit switches, regolatori di pressione.



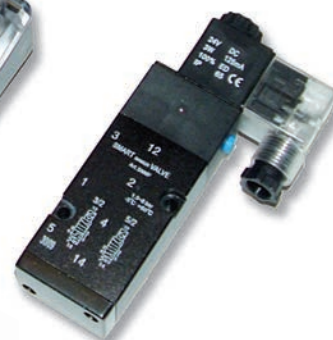
**SMART ALU BOX
LARGE ATEX**



**SMART ALU BOX
"SMALL"**



SMART MINI BOX



**SOLENOID VALVES
ELETTRORVALVOLE
IP65 EExia - EExd - EExm**



**BRACKETS &
STEM EXTENSIONS
SUPPORTI E PROLUNGHE**



ACCESSORIES/PNEUMATIC ROTARY ACTUATORS

ACCESSORI/ATTUATORI PNEUMATICI

OPENING / CLOSING TIME (sec) at 5.6 bar/80 p.s.i.

TEMPO DI APERTURA/CHIUSURA a 5,6 bar/80 p.s.i.

Model	AP1	AP2	AP3	AP3.5	AP4	AP4.5	AP5	AP5.5	AP6	AP8	AP10
Double Acting	Less than 1 Sec	Less than 1 Sec	Less than 1 Sec	Less than 1 Sec	Less than 1 Sec	Less than 1 Sec	Less than 1.25 Secs	Less than 1.5 Secs	1.5÷2 Secs	3÷4 Secs	5÷6 Secs
Spring Return	Less than 1 Sec	Less than 1 Sec	Less than 1 Sec	Less than 1.5 Sec	Less than 1.5 Secs	Less than 1 Sec	1.5÷2 Secs	2 Secs	2÷3 Secs	4÷6 Secs	7÷8 Secs

*WEIGHTS in Kgs

PESI in Kg

Model	AP1	AP2	AP3	AP3.5	AP4	AP4.5	AP5	AP5.5	AP6	AP8	AP10
Double Acting	1.15	1.60	2.80	4.28	5.80	8.26	11.63	14.15	21.70	40.10	110
Spring Return*	1.27	1.85	3.36	4.91	6.92	9.72	14.15	17.35	25.90	48.62	128

* Weights considering 6 (six) springs on each side of the caps

DOUBLE ACTING ACTUATOR (DA) ISO 5211

PRINCIPLE OF OPERATION

Counter clockwise output operation is achieved by inserting pressure into **Port "A"**, to force the pistons apart thus rotating the actuator pinion counter clockwise. During the operation, air from the outer chambers is exhausted through **Port "B"**. Clockwise output operation is achieved by reverse of the above and inserting pressure into **Port "B"**.

ATTUATORE DOPPIO EFFETTO (DA) ISO 5211

PRINCIPIO DI FUNZIONAMENTO

La rotazione antioraria viene ottenuta inserendo pressione attraverso **Port "A"** per spingere lateralmente i pistoni facendo ruotare il pignone in senso antiorario. Durante il movimento, l'aria viene espulsa attraverso **Port "B"**. Il movimento in senso orario avviene al contrario di quanto descritto sopra inserendo pressione attraverso **Port "B"**.

SPRING RETURN ACTUATOR (SR) ISO 5211

PRINCIPLE OF OPERATION

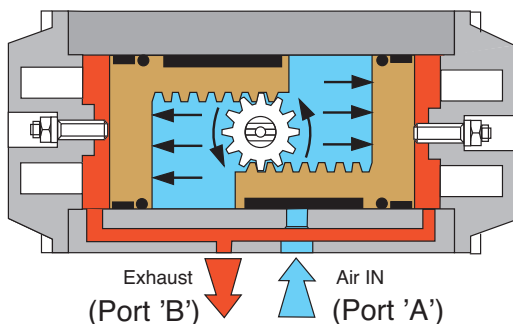
Pressure applied to **Port "A"** will cause the inner chambers to be pressurised, forcing the pistons outward to compress the springs. The pinion is rotated counter clockwise. Upon release of pressure through **Port "A"** the springs will exert pressure to close the pistons and rotate the pinion clockwise rapidly. This action will often be used to close a 90° turn valve in shutdown mode.

ATTUATORE SINGOLO EFFETTO (SR) ISO 5211

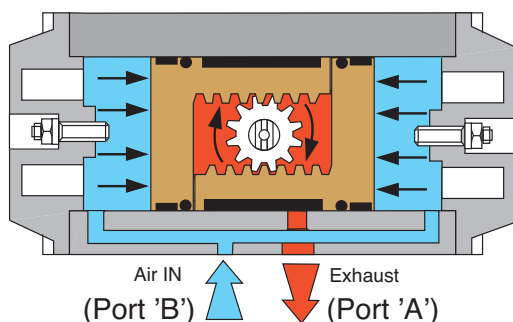
PRINCIPIO DI FUNZIONAMENTO

La pressione applicata in **Port "A"** spinge i pistoni verso l'esterno comprimendo le molle. Il pignone ruota in senso antiorario. Quando la pressione attraverso **Port "A"** diminuisce, le molle esercitano una spinta per chiudere i pistoni e ruotare il pignone in senso orario rapidamente. Questo meccanismo viene spesso utilizzato per chiudere una valvola di 90° in modalità di arresto (shutdown mode).

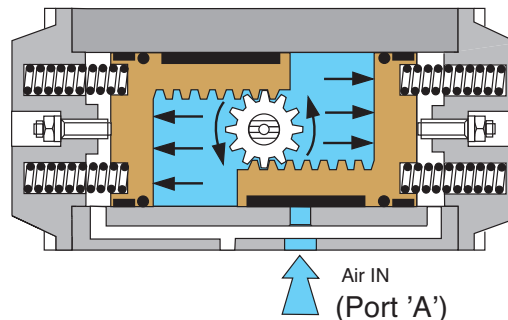
COUNTER CLOCKWISE OUTPUT ROTATION



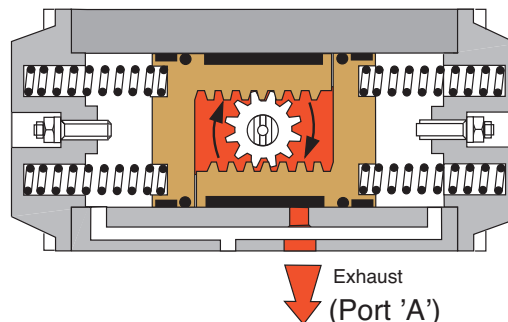
CLOCKWISE OUTPUT ROTATION

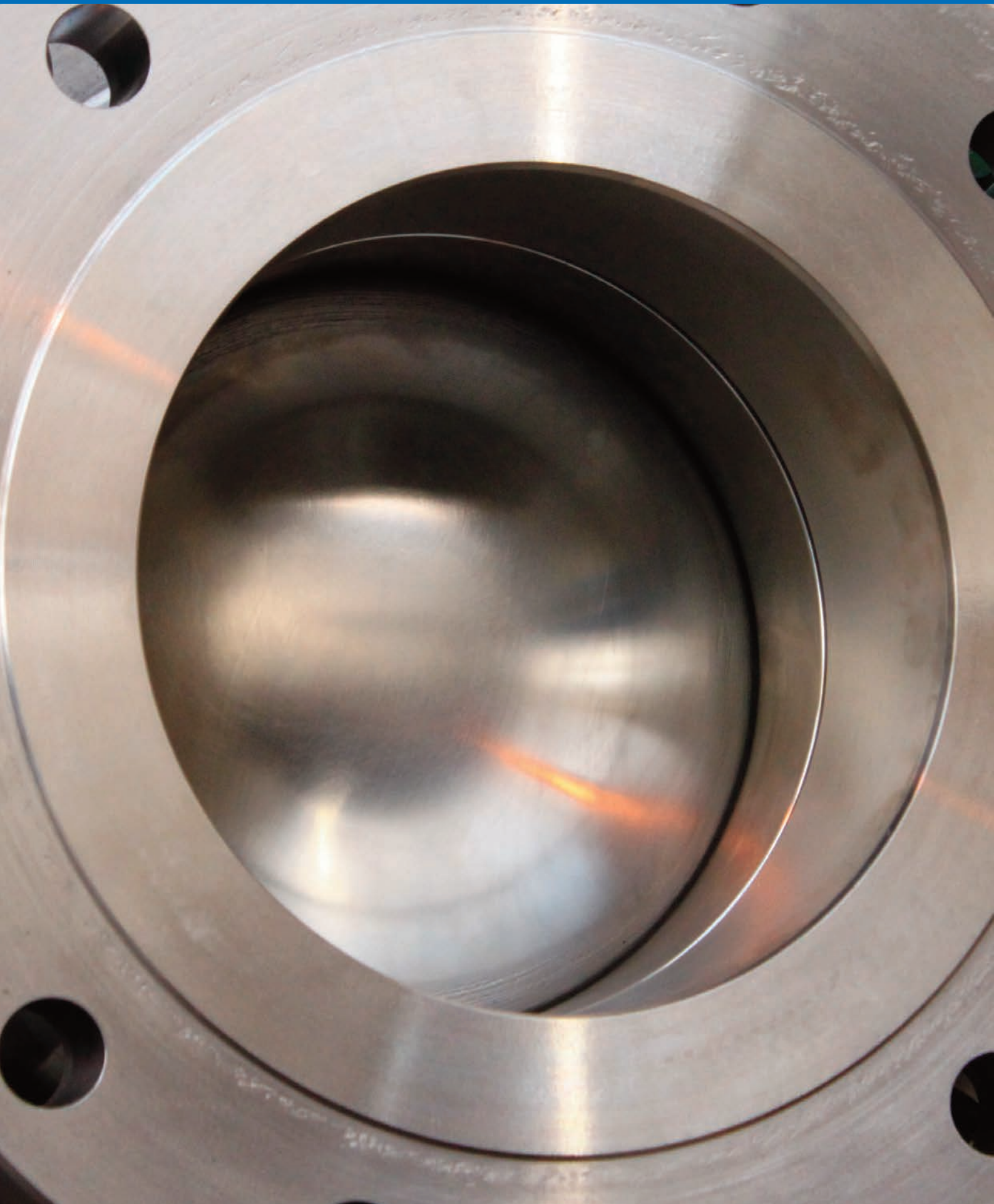


COUNTER CLOCKWISE OUTPUT ROTATION



CLOCKWISE OUTPUT ROTATION





VALVES

7TSE

ANSI 150 / 2500

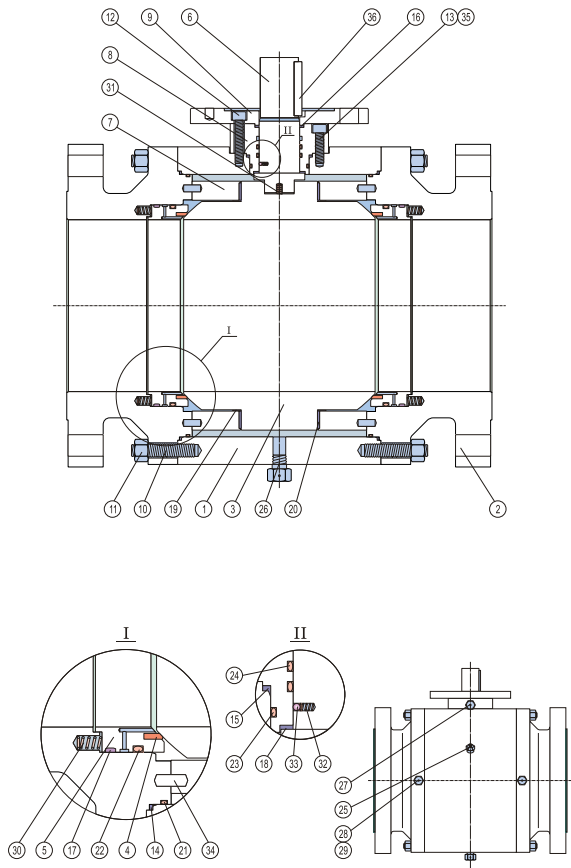
Rating: ANSI 150-2500

PN6, PN420
Available
on request

TRUNNION 3 PIECES BALL VALVE FULL AND REDUCED BORE
VALVOLE A SFERA TRUNNION IN 3 PEZZI
A PASSAGGIO PIENO E RIDOTTO



Description & Materials



No.	Part	A105/ENP	A105/316	F316/316	LF2/316 NACE
1	Body	ASTM A105N	ASTM A105N	ASTM A182-F316	ASTM A350-LF2
2	Adapter	ASTM A105N	ASTM A105N	ASTM A182-F316	ASTM A350-LF2
3	Ball	ASTM A105N/ENP	ASTM A182-F316	ASTM A182-F316	ASTM A182-F316
4	Seat Insert	PTFE/Molon/PEEK	PTFE/Molon/PEEK	PTFE/Molon/PEEK	PTFE / Molon/PEEK
5	Seat Ring	ASTM A105N/ENP	ASTM A182-F316	ASTM A182-F316	ASTM A182-F316
6	Stem	ASTM A105N/ENP	ASTM A182-F316/17-4PH	ASTM A182-F316/17-4PH	ASTM A182-F316/17-4PH
7	Trunnion Support	ASTM A105N/ENP	ASTM A105N/ENP	ASTM A182-F316	ASTM A350-LF2/ENP
8	Gland Flange	ASTM A105N/ENP	ASTM A105N/ENP	ASTM A182-F316	ASTM A350-LF2/ENP
9	Top Flange	ASTM A105N	ASTM A105N	ASTM A182-F316	ASTM A350-LF2
10	Body Stud	ASTM A193-B7	ASTM A193-B7	ASTM A193-B8	ASTM A320-L7M
11	Body Nut	ASTM A194-2H	ASTM A194-2H	ASTM A194-8	ASTM A194-7M
12	Screw	Carbon Steel	Carbon Steel	Stainless Steel	ASTM A320-L7M
13	Screw	Carbon Steel	Carbon Steel	Stainless Steel	ASTM A320-L7M
14	Body Gasket	Graphite	Graphite	Graphite	Graphite
15	Gland Gasket	Graphite	Graphite	Graphite	Graphite
16	Stem Firesafe Packing	Graphite	Graphite	Graphite	Graphite
17	Seat Firesafe Packing	Carbon Fibre+Graphite	Carbon Fibre+Graphite	Carbon Fibre+Graphite	Carbon Fibre+Graphite
18	Thrust Washer	PTFE/316SS+PTFE+MoS2	PTFE/316SS+PTFE+MoS2	PTFE/316SS+PTFE+MoS2	PTFE/316SS+PTFE+MoS2
19	Washer	PTFE/316SS+PTFE+MoS2	PTFE/316SS+PTFE+MoS2	PTFE/316SS+PTFE+MoS2	PTFE/316SS+PTFE+MoS2
20	Bearing	316SS+PTFE+MoS2	316SS+PTFE+MoS2	316SS+PTFE+MoS2	316SS+PTFE+MoS2
21	O-Ring	Viton	Viton	Viton	Viton
22	O-Ring	Viton	Viton	Viton	Viton
23	O-Ring	Viton	Viton	Viton	Viton
24	O-Ring	Viton	Viton	Viton	Viton
25	Vent Valve	Stainless Steel	Stainless Steel	Stainless Steel	Stainless Steel
26	Drain	Stainless Steel	Stainless Steel	Stainless Steel	Stainless Steel
27	Stem Injection	Stainless Steel	Stainless Steel	Stainless Steel	Stainless Steel
28	Seat Injection	Stainless Steel	Stainless Steel	Stainless Steel	Stainless Steel
29	Check Valve	Stainless Steel	Stainless Steel	Stainless Steel	Stainless Steel
30	Seat Spring	INCONEL X-750	INCONEL X-750	INCONEL X-750	INCONEL X-750
31	Antistatic Spring	INCONEL X-750	INCONEL X-750	INCONEL X-750	INCONEL X-750
32	Antistatic Spring	INCONEL X-750	INCONEL X-750	INCONEL X-750	INCONEL X-750
33	Grounding Plunger	Stainless Steel	Stainless Steel	Stainless Steel	Stainless Steel
34	Alignment Pin	Stainless Steel	Stainless Steel	Stainless Steel	Stainless Steel
35	Gland Pin	Carbon Steel	Carbon Steel	Stainless Steel	Carbon Steel
36	Key	Carbon Steel	Carbon Steel	Stainless Steel	Carbon Steel

* Recommended Spare Parts

VALVES

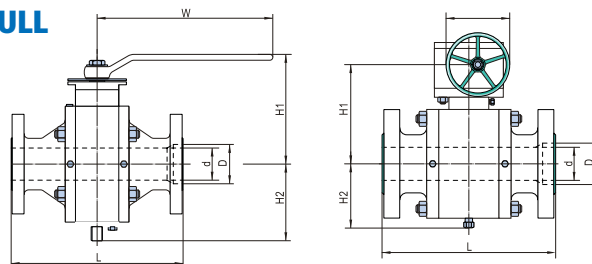
7TSE

ANSI 150 / 2500

Rating: ANSI 150-2500

PN6, PN420
Available
on request

TRUNNION 3 PIECES BALL VALVE FULL AND REDUCED BORE VALVOLE A SFERA TRUNNION IN 3 PEZZI A PASSAGGIO PIENO E RIDOTTO



Dimensions

Full Bore - Class 150

Size in	D mm	L mm	H1 mm	H2 mm	W mm	Weight Kg
2	51	178	155	85	350	30
3	76	203	191	110	400	60
4	102	229	211	130	450	92
6	152	394	231	160	*305	190
8	203	457	282	235	*406	345
10	254	533	336	290	*406	495
12	305	610	373	315	*406	705
14	337	686	413	345	*406	859
16	387	762	457	383	*600	1020
18	438	864	501	435	*600	1440
20	489	914	551	495	*600	1918
22	540	991	600	555	*600	2352
24	591	1067	635	590	*700	2803

Reduced Bore - Class 150

Size in	d mm	D mm	L mm	H1 mm	H2 mm	W mm	Weight Kg
2"1-1/2	38	51	178	152	80	350	26
3"2	51	76	203	155	85	350	34
4"3	76	102	229	191	110	400	62
6"4	102	152	394	211	130	450	102
8"6	152	203	457	231	160	*305	225
10"8	203	254	533	282	235	*406	373
12"10	254	305	610	336	290	*406	533
14"10	254	337	686	336	290	*406	626
14"12	305	337	686	373	315	*406	730
16"12	305	387	762	373	315	*406	790
16"14	337	387	762	413	345	*406	844
18"14	337	438	864	413	345	*406	1010
18"16	387	438	864	457	383	*600	1095
20"16	387	489	914	457	383	*600	1115
20"18	438	489	914	501	435	*600	1152
22"18	438	540	991	501	435	*600	2343
24"20	489	591	1067	551	495	*600	2060

Full Bore - Class 300

Size in	D mm	L mm	H1 mm	H2 mm	W mm	Weight Kg
2	51	216	155	85	400	31
3	76	283	191	110	450	69
4	102	305	211	130	500	110
6	152	403	229	160	*305	211
8	203	502	291	235	*406	376
10	254	568	340	290	*406	540
12	305	648	375	315	*500	763
14	337	762	417	345	*600	900
16	387	838	466	400	*600	1300
18	438	914	506	440	*600	1715
20	489	991	563	495	*600	2090
22	540	1092	605	560	*700	2220
24	591	1143	684	590	*760	2890

Reduced Bore - Class 300

Size in	d mm	D mm	L mm	H1 mm	H2 mm	W mm	Weight Kg
2"1-1/2	38	51	216	152	80	350	30
3"2	51	76	283	155	85	400	37
4"3	76	102	305	191	110	450	74
6"4	102	152	403	211	130	500	142
8"6	152	203	502	229	160	*305	253
10"8	203	254	568	291	235	*406	410
12"10	254	305	648	340	290	*406	580
14"10	254	337	762	340	315	*406	683
14"12	305	337	762	375	315	*500	830
16"12	305	387	838	375	360	*500	1051
16"14	337	387	838	417	360	*600	1125
18"14	337	438	914	417	400	*600	1320
18"16	387	438	914	466	400	*600	1530
20"16	387	489	991	466	420	*600	1780
20"18	438	489	991	506	440	*600	1830
22"18	438	540	1092	506	440	*600	2010
24"20	489	591	1143	563	495	*600	2220

Full Bore - Class 600

Size in	D mm	L mm	H1 mm	H2 mm	W mm	Weight Kg
2	51	292	155	85	400	45
3	76	356	193	112	500	80
4	102	432	239	140	700	150
6	152	559	266	175	*406	248
8	203	660	310	250	*406	438
10	254	787	354	290	*600	701
12	305	838	411	345	*600	855
14	337	889	435	370	*600	1230
16	387	991	493	420	*600	1535
18	438	1092	544	462	*700	2135
20	489	1194	629	515	*760	2640
22	540	1295	683	570	*800	3370
24	591	1397	728	610	*800	3960
	686	1549	810	695	*800	6060
	737	1651	863	735	*800	6690
	781	1778	900	775	*800	7825
	832	1930	940	820	*800	8460

Reduced Bore - Class 600

Size in	d mm	D mm	L mm	H1 mm	H2 mm	W mm	Weight Kg
2"1-1/2	38	51	292	152	80	350	40
3"2	51	76	356	155	85	400	54
4"3	76	102	432	193	112	500	99
6"4	102	152	559	239	140	700	212
8"6	152	203	660	266	175	*406	304
10"8	203	254	787	310	250	*406	510
12"10	254	305	838	354	290	*600	794
14"10	254	337	889	354	345	*600	843
14"12	305	337	889	411	345	*600	910
16"12	305	387	991	411	370	*600	965
16"14	337	387	991	435	370	*600	1310
18"14	337	438	1092	435	410	*600	1520
18"16	387	438	1092	493	420	*600	1640
20"16	387	489	1194	493	440	*600	2065
20"18	438	489	1194	544	462	*700	2270
22"18	438	540	1295	544	462	*700	2430
24"20	489	591	1397	629	515	*760	3440

VALVES

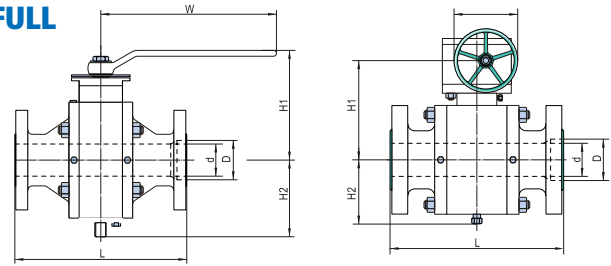
7TSE

ANSI 150 / 2500

Rating: ANSI 150-2500

PN6, PN420
Available
on request

TRUNNION 3 PIECES BALL VALVE FULL AND REDUCED BORE VALVOLE A SFERA TRUNNION IN 3 PEZZI A PASSAGGIO PIENO E RIDOTTO



Dimensions

Full Bore - Class 900

Size in	D mm	L mm	H1 mm	H2 mm	W mm	Weight Kg
2	51	368	178	100	450	52
3	76	381	221	125	600	87
4	102	457	215	150	*305	160
6	152	610	268	215	*406	385
8	203	737	324	260	*600	560
10	254	838	371	305	*600	820
12	305	965	425	360	*600	1125
14	324	1029	463	390	*600	1610
16	375	1130	513	440	*710	2010
18	425	1219	614	500	*760	2810
20	473	1321	644	530	*760	3460
24	572	1549	745	630	*800	5497
	667	1753	830	720	*800	10202
	714	1880	880	755	*800	11442
	810	2159	970	850	*900	17462

Reduced Bore - Class 900

Size in	d mm	D mm	L mm	H1 mm	H2 mm	W mm	Weight Kg
2*1-1/2	38	51	368	152	80	400	45
3*2	51	76	381	178	100	450	56
4*3	76	102	457	221	125	600	94
6*4	102	152	610	215	150	*305	226
8*6	152	203	737	268	260	*406	480
10*8	203	254	838	324	305	*600	650
12*10	254	305	965	371	335	*600	868
14*10	254	324	1029	371	360	*600	1050
14*12	305	324	1029	425	360	*600	1310
16*12	305	375	1130	425	390	*600	1385
16*14	324	375	1130	463	390	*600	1830
18*16	375	425	1219	513	440	*710	2205
20*16	375	473	1321	513	470	*710	2735
20*18	425	473	1321	614	500	*760	3140
24*20	473	572	1549	644	550	*760	3810

Full Bore - Class 1500

Size in	D mm	L mm	H1 mm	H2 mm	W mm	Weight Kg
2	51	368	178	100	450	60
3	76	470	226	130	700	115
4	102	546	241	162	*406	194
6	146	705	319	255	*600	580
8	194	832	345	280	*600	752
10	241	991	411	345	*600	1195
12	289	1130	478	405	*600	1970
14	318	1257	517	435	*700	2250
16	362	1384	599	485	*760	2760
18	407	1537	663	545	*800	3646
20	457	1664	695	580	*800	4497
24	534	2045	842	730	*900	7151

Reduced Bore - Class 1500

Size in	d mm	D mm	L mm	H1 mm	H2 mm	W mm	Weight Kg
2*1-1/2	38	51	368	152	80	400	56
3*2	51	76	470	178	100	450	82
4*3	76	102	546	226	130	700	150
6*4	102	146	705	241	162	*406	295
8*6	146	194	832	319	270	*600	690
10*8	194	241	991	345	325	*600	930
12*10	241	289	1130	411	370	*600	1340
14*10	241	318	1257	411	405	*600	1840
14*12	289	318	1257	478	405	*600	2070
16*12	289	362	1384	478	435	*600	2520
16*14	318	362	1384	517	435	*700	2670
18*16	362	407	1537	599	485	*760	2950
20*16	362	457	1664	599	545	*760	3825
20*18	407	457	1664	663	545	*800	4150
24*20	457	534	2045	695	640	*800	5850

Full Bore - Class 2500

Size in	D mm	L(RTJ) mm	H1 mm	H2 mm	W mm	Weight Kg
2	44	454	214	118	700	90
3	64	584	216	150	*406	200
4	89	683	265	180	*406	385
6	133	927	371	305	*600	778
8	181	1038	426	360	*600	1352
10	225	1292	463	390	*710	2137
12	267	1445	550	465	*760	3267

Reduced Bore - Class 2500

Size in	d mm	D mm	L(RTJ) mm	H1 mm	H2 mm	W mm	Weight Kg
2*1-1/2	38	44	454	175	95	450	80
3*2	44	64	584	214	118	700	160
4*3	64	89	683	216	150	*406	320
6*4	89	133	927	265	270	*406	640
8*6	133	181	1038	371	305	*600	1170
10*8	181	225	1292	426	370	*600	1919
12*10	225	267	1445	463	415	*710	2972

VALVES

7DBB

ANSI 150 / 2500

Rating: ANSI 150-2500

PN6, PN420
Available
on request

TRUNNION AND FLOATING DOUBLE BLOCK & BLEED BALL VALVES FULL AND REDUCED BORE
VALVOLE A SFERA DOUBLE BLOCK & BLEED
TRUNNION E FLOATING PASSAGGIO PIENO



When the line is to be protected by two isolation valves and a bleed valve, a **Double Block and Bleed valve** allows to have the same protection of the line saving space, weight and cost. Double Block and Bleed valves are a combination of two balls in one body, with a bleed valve to vent the body cavity between the two balls. The bleed valve can be a needle, gate or ball valve as per project requirements. These valves are available with trunnion mounted or floating ball design and can be manufactured from forgings or forged bars and designed for any service condition (high temperature, cryogenic, etc.).

*Quando la linea deve essere protetta da due valvole di isolamento e da una valvola di scarico, le **valvole a doppia sfera** forniscono la stessa protezione della linea con un notevole risparmio di spazio, peso e costo. Le valvole double block and bleed sono costruite come la combinazione di due sfere in un solo corpo con una valvola di scarico nel corpo inserita fra le due valvole. La valvola di scarico può essere a spillo, a sfera o a saracinesca come stabilito dai requisiti di progetto. Queste valvole sono disponibili in versione trunnion o flottante e possono essere ricavate da forgiato o da barra forgiata e progettate per qualsiasi condizione di esercizio (alta temperatura, criogenia, ecc.).*

VALVES

Seven Krone

PN16

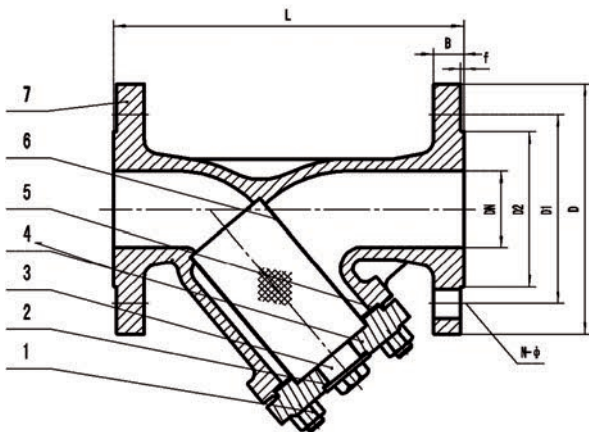


Rating: PN16

PN25, PN40, ANSI
150-300
Available on
request

Y STRAINERS PN16
CAST Y STRAINERS FOR STEAM, WATER AND OIL
FILTRI A Y IN FUSIONE PER VAPORE, ACQUA E OLIO

Dimensions



DN	L	D	D1	D2	B	f	N-ø	D	Weights GS25	Weights GSC25
15	130	95	65	45	16	2	4x14	95	2	3
20	150	105	75	58	18	2	4x14	105	3	4
25	160	115	85	68	18	2	4x14	115	4	6
32	180	140	100	78	18	2	4x18	140	6	7
40	200	150	110	88	18	3	4x18	150	7	10
50	230	165	125	102	20	3	4x18	165	10	14
65	290	185	145	122	18	3	4x18	185	14	20
80	310	200	160	138	20	3	8x18	200	20	26
100	350	220	180	158	20	3	8x18	235	27	40
125	400	250	210	188	22	3	8x18	270	40	50
150	480	285	240	212	22	3	8x22	300	57	68
200	600	340	295	268	24	3	12x22	360	97	140
250	730	405	355	320	26	3	12x26	425	175	190
300	850	460	410	378	28	4	12x26	485	225	270
350	980	520	470	438	30	4	16x26	555	320	370

Dimensions in mm

Materials

AVAILABLE MATERIALS

- From stock: Cast iron GG25
Carbon steel GS-C25
- On request: Stainless steel
CF8, CF8M, Duplex

AVAILABLE FEATURES

- Standard DIN 2533
- Standard DIN 3201 F1
- Suitable for Water, Steam and Oil

POS	DESCRIPTION	MATERIAL
1	BOLT	25
2	SEALING PIECE	CU ALLOY
3	SCREW	Q235
4	COVER	GS-C25
5	GASKET	GRAPHITE+SS304
6	SCREEN	304
7	BODY	GS-C25
Working temp		-20°C 350°C
		25
		CU ALLOY
		Q235
		GG25
		GRAPHITE+SS304
		304
		GG25
		200°C MAX

REFERENCES / REFERENZE

APACHE	UK
ACCIAIERIE VALBRUNA SPA	ITALY
BOLTON MANITOBA	ITALY
CAMBIELLI GROUP	ITALY
CPL CONCORDIA	ITALY
ELETTROMECCANICA VIOTTO	ITALY
FLUITEK ORSENIGO VALVES	ITALY
FRILLI IMPIANTI	ITALY
INDRA	ITALY
ING. E. MANTOVANI	ITALY
INTERAPP ITALIANA SRL	ITALY
INTERAPP SWITZERLAND AG	SWITZERLAND
ITALVALV	ITALY
KOVACS & TOROK	HUNGARY
LEDOGA	ITALY
MAZZONI TERMOTECNICA	ITALY
PALOMAR	ITALY
SEDAMYL SPA	ITALY
SILVACHIMICA	ITALY
SNF	FRANCE
SODECO	BELGIUM
TALISMAN ENERGY	UK
T&D WATER TECHNOLOGIES	ITALY
VA.PO.RU.SA	ITALY
VIAR VALVOLE	ITALY
VALVITALIA	ITALY



**Seven Valves S.r.l.**

Via Mincio 7

20017 Rho - Milan Italy

T +39 02 93162165

F +39 02 9306847

P. IVA 06768840966

www.7valves.itinfo@7valves.it