

VALVES

7TSE

ANSI 150 / 2500

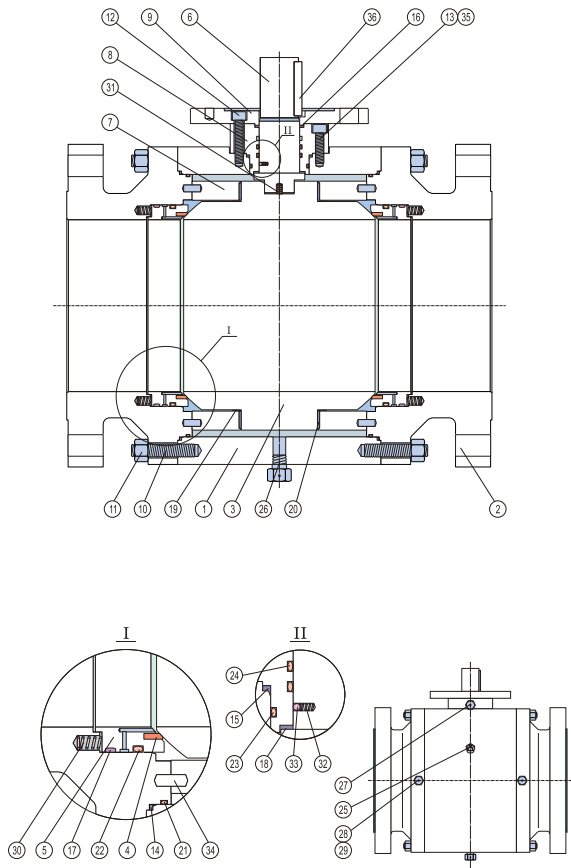
Rating: ANSI 150-2500

PN6, PN420
Available
on request

TRUNNION 3 PIECES BALL VALVE FULL BORE
VALVOLE A SFERA TRUNNION IN 3 PEZZI
A PASSAGGIO PIENO E RIDOTTO



Description & Materials



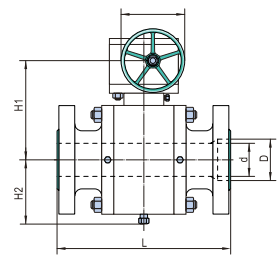
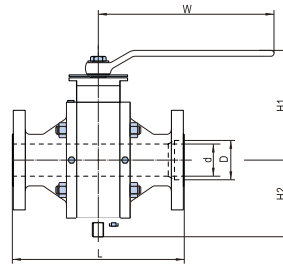
No.	Part	A105/ENP	A105/316	F316/316	LF2/316 NACE
1	Body	ASTM A105N	ASTM A105N	ASTM A182-F316	ASTM A350-LF2
2	Adapter	ASTM A105N	ASTM A105N	ASTM A182-F316	ASTM A350-LF2
3	Ball	ASTM A105N/ENP	ASTM A182-F316	ASTM A182-F316	ASTM A182-F316
4	Seat Insert	PTFE/Molon/PEEK	PTFE/Molon/PEEK	PTFE/Molon/PEEK	PTFE / Molon/PEEK
5	Seat Ring	ASTM A105N/ENP	ASTM A182-F316	ASTM A182-F316	ASTM A182-F316
6	Stem	ASTM A105N/ENP	ASTM A182-F316/17-4PH	ASTM A182-F316/17-4PH	ASTM A182-F316/17-4PH
7	Trunnion Support	ASTM A105N/ENP	ASTM A105N/ENP	ASTM A182-F316	ASTM A350-LF2/ENP
8	Gland Flange	ASTM A105N/ENP	ASTM A105N/ENP	ASTM A182-F316	ASTM A350-LF2/ENP
9	Top Flange	ASTM A105N	ASTM A105N	ASTM A182-F316	ASTM A350-LF2
10	Body Stud	ASTM A193-B7	ASTM A193-B7	ASTM A193-B8	ASTM A320-L7M
11	Body Nut	ASTM A194-2H	ASTM A194-2H	ASTM A194-8	ASTM A194-7M
12	Screw	Carbon Steel	Carbon Steel	Stainless Steel	ASTM A320-L7M
13	Screw	Carbon Steel	Carbon Steel	Stainless Steel	ASTM A320-L7M
14	Body Gasket	Graphite	Graphite	Graphite	Graphite
15	Gland Gasket	Graphite	Graphite	Graphite	Graphite
16	Stem Firesafe Packing	Graphite	Graphite	Graphite	Graphite
17	Seat Firesafe Packing	Carbon Fibre+Graphite	Carbon Fibre+Graphite	Carbon Fibre+Graphite	Carbon Fibre+Graphite
18	Thrust Washer	PTFE/316SS+PTFE+MoS2	PTFE/316SS+PTFE+MoS2	PTFE/316SS+PTFE+MoS2	PTFE/316SS+PTFE+MoS2
19	Washer	PTFE/316SS+PTFE+MoS2	PTFE/316SS+PTFE+MoS2	PTFE/316SS+PTFE+MoS2	PTFE/316SS+PTFE+MoS2
20	Bearing	316SS+PTFE+MoS2	316SS+PTFE+MoS2	316SS+PTFE+MoS2	316SS+PTFE+MoS2
21	O-Ring	Viton	Viton	Viton	Viton
22	O-Ring	Viton	Viton	Viton	Viton
23	O-Ring	Viton	Viton	Viton	Viton
24	O-Ring	Viton	Viton	Viton	Viton
25	Vent Valve	Stainless Steel	Stainless Steel	Stainless Steel	Stainless Steel
26	Drain	Stainless Steel	Stainless Steel	Stainless Steel	Stainless Steel
27	Stem Injection	Stainless Steel	Stainless Steel	Stainless Steel	Stainless Steel
28	Seat Injection	Stainless Steel	Stainless Steel	Stainless Steel	Stainless Steel
29	Check Valve	Stainless Steel	Stainless Steel	Stainless Steel	Stainless Steel
30	Seat Spring	INCONEL X-750	INCONEL X-750	INCONEL X-750	INCONEL X-750
31	Antistatic Spring	INCONEL X-750	INCONEL X-750	INCONEL X-750	INCONEL X-750
32	Antistatic Spring	INCONEL X-750	INCONEL X-750	INCONEL X-750	INCONEL X-750
33	Grounding Plunger	Stainless Steel	Stainless Steel	Stainless Steel	Stainless Steel
34	Alignment Pin	Stainless Steel	Stainless Steel	Stainless Steel	Stainless Steel
35	Gland Pin	Carbon Steel	Carbon Steel	Stainless Steel	Carbon Steel
36	Key	Carbon Steel	Carbon Steel	Stainless Steel	Carbon Steel

* Recommended Spare Parts

VALVES
7TSE
ANSI 150 / 2500

Rating: ANSI 150-2500

 PN6, PN420
 Available
 on request

**TRUNNION 3 PIECES BALL
 VALVE FULL BORE
 VALVOLE A SFERA
 TRUNNION IN 3 PEZZI
 A PASSAGGIO PIENO
 E RIDOTTO**

Dimensions
Full Bore - Class 900

Size in	D mm	L mm	H1 mm	H2 mm	W mm	Weight Kg
2	51	368	178	100	450	52
3	76	381	221	125	600	87
4	102	457	215	150	*305	160
6	152	610	268	215	*406	385
8	203	737	324	260	*600	560
10	254	838	371	305	*600	820
12	305	965	425	360	*600	1125
14	324	1029	463	390	*600	1610
16	375	1130	513	440	*710	2010
18	425	1219	614	500	*760	2810
20	473	1321	644	530	*760	3460
24	572	1549	745	630	*800	5497
	667	1753	830	720	*800	10202
	714	1880	880	755	*800	11442
	810	2159	970	850	*900	17462

Reduced Bore - Class 900

Size in	d mm	D mm	L mm	H1 mm	H2 mm	W mm	Weight Kg
2*1-1/2	38	51	368	152	80	400	45
3*2	51	76	381	178	100	450	56
4*3	76	102	457	221	125	600	94
6*4	102	152	610	215	150	*305	226
8*6	152	203	737	268	260	*406	480
10*8	203	254	838	324	305	*600	650
12*10	254	305	965	371	335	*600	868
14*10	254	324	1029	371	360	*600	1050
14*12	305	324	1029	425	360	*600	1310
16*12	305	375	1130	425	390	*600	1385
16*14	324	375	1130	463	390	*600	1830
18*16	375	425	1219	513	440	*710	2205
20*16	375	473	1321	513	470	*710	2735
20*18	425	473	1321	614	500	*760	3140
24*20	473	572	1549	644	550	*760	3810

Full Bore - Class 1500

Size in	D mm	L mm	H1 mm	H2 mm	W mm	Weight Kg
2	51	368	178	100	450	60
3	76	470	226	130	700	115
4	102	546	241	162	*406	194
6	146	705	319	255	*600	580
8	194	832	345	280	*600	752
10	241	991	411	345	*600	1195
12	289	1130	478	405	*600	1970
14	318	1257	517	435	*700	2250
16	362	1384	599	485	*760	2760
18	407	1537	663	545	*800	3646
20	457	1664	695	580	*800	4497
24	534	2045	842	730	*900	7151

Reduced Bore - Class 1500

Size in	d mm	D mm	L mm	H1 mm	H2 mm	W mm	Weight Kg
2*1-1/2	38	51	368	152	80	400	56
3*2	51	76	470	178	100	450	82
4*3	76	102	546	226	130	700	150
6*4	102	146	705	241	162	*406	295
8*6	146	194	832	319	270	*600	690
10*8	194	241	991	345	325	*600	930
12*10	241	289	1130	411	370	*600	1340
14*10	241	318	1257	411	405	*600	1840
14*12	289	318	1257	478	405	*600	2070
16*12	289	362	1384	478	435	*600	2520
16*14	318	362	1384	517	435	*700	2670
18*16	362	407	1537	599	485	*760	2950
20*16	362	457	1664	599	545	*760	3825
20*18	407	457	1664	663	545	*800	4150
24*20	457	534	2045	695	640	*800	5850

Full Bore - Class 2500

Size in	D mm	L(RTJ) mm	H1 mm	H2 mm	W mm	Weight Kg
2	44	454	214	118	700	90
3	64	584	216	150	*406	200
4	89	683	265	180	*406	385
6	133	927	371	305	*600	778
8	181	1038	426	360	*600	1352
10	225	1292	463	390	*710	2137
12	267	1445	550	465	*760	3267

Reduced Bore - Class 2500

Size in	d mm	D mm	L(RTJ) mm	H1 mm	H2 mm	W mm	Weight Kg
2*1-1/2	38	44	454	175	95	450	80
3*2	44	64	584	214	118	700	160
4*3	64	89	683	216	150	*406	320
6*4	89	133	927	265	270	*406	640
8*6	133	181	1038	371	305	*600	1170
10*8	181	225	1292	426	370	*600	1919
12*10	225	267	1445	463	415	*710	2972