

**VALVES**

**7TSE**

**ANSI 150 / 2500**

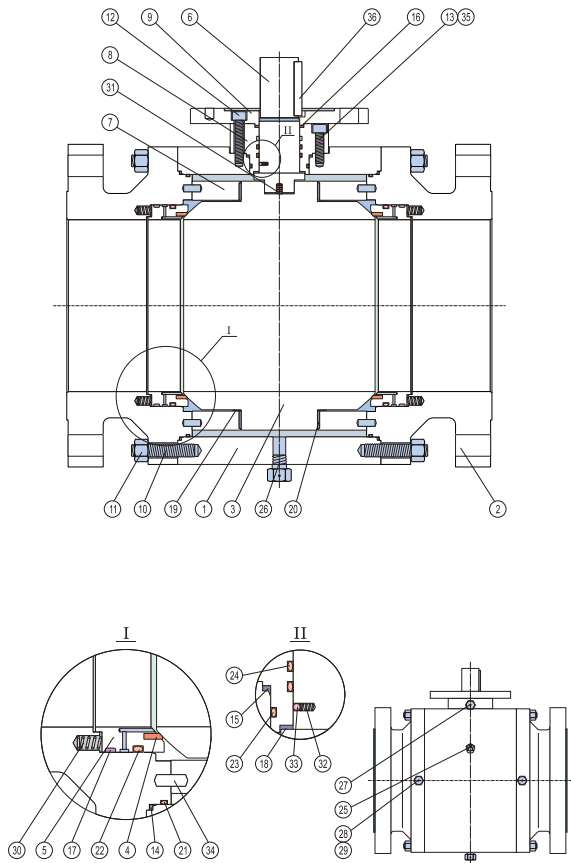
Rating: ANSI 150-2500

PN6, PN420  
Available  
on request

**TRUNNION 3 PIECES BALL VALVE FULL BORE  
VALVOLE A SFERA TRUNNION IN 3 PEZZI  
A PASSAGGIO PIENO E RIDOTTO**



**Description & Materials**



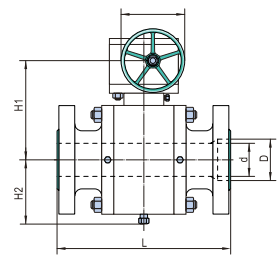
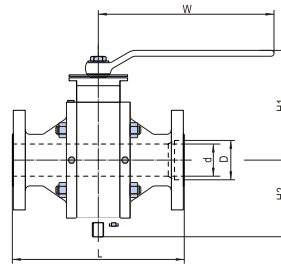
No.	Part	A105/ENP	A105/316	F316/316	LF2/316 NACE
1	Body	ASTM A105N	ASTM A105N	ASTM A182-F316	ASTM A350-LF2
2	Adapter	ASTM A105N	ASTM A105N	ASTM A182-F316	ASTM A350-LF2
3	Ball	ASTM A105N/ENP	ASTM A182-F316	ASTM A182-F316	ASTM A182-F316
4	Seat Insert	PTFE/Molon/PEEK	PTFE/Molon/PEEK	PTFE/Molon/PEEK	PTFE / Molon/PEEK
5	Seat Ring	ASTM A105N/ENP	ASTM A182-F316	ASTM A182-F316	ASTM A182-F316
6	Stem	ASTM A105N/ENP	ASTM A182-F316/17-4PH	ASTM A182-F316/17-4PH	ASTM A182-F316/17-4PH
7	Trunnion Support	ASTM A105N/ENP	ASTM A105N/ENP	ASTM A182-F316	ASTM A350-LF2/ENP
8	Gland Flange	ASTM A105N/ENP	ASTM A105N/ENP	ASTM A182-F316	ASTM A350-LF2/ENP
9	Top Flange	ASTM A105N	ASTM A105N	ASTM A182-F316	ASTM A350-LF2
10	Body Stud	ASTM A193-B7	ASTM A193-B7	ASTM A193-B8	ASTM A320-L7M
11	Body Nut	ASTM A194-2H	ASTM A194-2H	ASTM A194-8	ASTM A194-7M
12	Screw	Carbon Steel	Carbon Steel	Stainless Steel	ASTM A320-L7M
13	Screw	Carbon Steel	Carbon Steel	Stainless Steel	ASTM A320-L7M
14	Body Gasket	Graphite	Graphite	Graphite	Graphite
15	Gland Gasket	Graphite	Graphite	Graphite	Graphite
16	Stem Firesafe Packing	Graphite	Graphite	Graphite	Graphite
17	Seat Firesafe Packing	Carbon Fibre+Graphite	Carbon Fibre+Graphite	Carbon Fibre+Graphite	Carbon Fibre+Graphite
18	Thrust Washer	PTFE/316SS+PTFE+MoS2	PTFE/316SS+PTFE+MoS2	PTFE/316SS+PTFE+MoS2	PTFE/316SS+PTFE+MoS2
19	Washer	PTFE/316SS+PTFE+MoS2	PTFE/316SS+PTFE+MoS2	PTFE/316SS+PTFE+MoS2	PTFE/316SS+PTFE+MoS2
20	Bearing	316SS+PTFE+MoS2	316SS+PTFE+MoS2	316SS+PTFE+MoS2	316SS+PTFE+MoS2
21	O-Ring	Viton	Viton	Viton	Viton
22	O-Ring	Viton	Viton	Viton	Viton
23	O-Ring	Viton	Viton	Viton	Viton
24	O-Ring	Viton	Viton	Viton	Viton
25	Vent Valve	Stainless Steel	Stainless Steel	Stainless Steel	Stainless Steel
26	Drain	Stainless Steel	Stainless Steel	Stainless Steel	Stainless Steel
27	Stem Injection	Stainless Steel	Stainless Steel	Stainless Steel	Stainless Steel
28	Seat Injection	Stainless Steel	Stainless Steel	Stainless Steel	Stainless Steel
29	Check Valve	Stainless Steel	Stainless Steel	Stainless Steel	Stainless Steel
30	Seat Spring	INCONEL X-750	INCONEL X-750	INCONEL X-750	INCONEL X-750
31	Antistatic Spring	INCONEL X-750	INCONEL X-750	INCONEL X-750	INCONEL X-750
32	Antistatic Spring	INCONEL X-750	INCONEL X-750	INCONEL X-750	INCONEL X-750
33	Grounding Plunger	Stainless Steel	Stainless Steel	Stainless Steel	Stainless Steel
34	Alignment Pin	Stainless Steel	Stainless Steel	Stainless Steel	Stainless Steel
35	Gland Pin	Carbon Steel	Carbon Steel	Stainless Steel	Carbon Steel
36	Key	Carbon Steel	Carbon Steel	Stainless Steel	Carbon Steel

\* Recommended Spare Parts

**VALVES**
**7TSE**
**ANSI 150 / 2500**

Rating: ANSI 150-2500

 PN6, PN420  
 Available  
 on request

**TRUNNION 3 PIECES BALL  
 VALVE FULL BORE  
 VALVOLE A SFERA  
 TRUNNION IN 3 PEZZI  
 A PASSAGGIO PIENO  
 E RIDOTTO**

**Dimensions**
**Full Bore - Class 150**

Size in	D mm	L mm	H1 mm	H2 mm	W mm	Weight Kg
2	51	178	155	85	350	30
3	76	203	191	110	400	60
4	102	229	211	130	450	92
6	152	394	231	160	*305	190
8	203	457	282	235	*406	345
10	254	533	336	290	*406	495
12	305	610	373	315	*406	705
14	337	686	413	345	*406	859
16	387	762	457	383	*600	1020
18	438	864	501	435	*600	1440
20	489	914	551	495	*600	1918
22	540	991	600	555	*600	2352
24	591	1067	635	590	*700	2803

**Reduced Bore - Class 150**

Size in	d mm	D mm	L mm	H1 mm	H2 mm	W mm	Weight Kg
2"1-1/2	38	51	178	152	80	350	26
3"2	51	76	203	155	85	350	34
4"3	76	102	229	191	110	400	62
6"4	102	152	394	211	130	450	102
8"6	152	203	457	231	160	*305	225
10"8	203	254	533	282	235	*406	373
12"10	254	305	610	336	290	*406	533
14"10	254	337	686	336	290	*406	626
14"12	305	337	686	373	315	*406	730
16"12	305	387	762	373	315	*406	790
16"14	337	387	762	413	345	*406	844
18"14	337	438	864	413	345	*406	1010
18"16	387	438	864	457	383	*600	1095
20"16	387	489	914	457	383	*600	1115
20"18	438	489	914	501	435	*600	1152
22"18	438	540	991	501	435	*600	2343
24"20	489	591	1067	551	495	*600	2060

**Full Bore - Class 300**

Size in	D mm	L mm	H1 mm	H2 mm	W mm	Weight Kg
2	51	216	155	85	400	31
3	76	283	191	110	450	69
4	102	305	211	130	500	110
6	152	403	229	160	*305	211
8	203	502	291	235	*406	376
10	254	568	340	290	*406	540
12	305	648	375	315	*500	763
14	337	762	417	345	*600	900
16	387	838	466	400	*600	1300
18	438	914	506	440	*600	1715
20	489	991	563	495	*600	2090
22	540	1092	605	560	*700	2220
24	591	1143	684	590	*760	2890

**Reduced Bore - Class 300**

Size in	d mm	D mm	L mm	H1 mm	H2 mm	W mm	Weight Kg
2"1-1/2	38	51	216	152	80	350	30
3"2	51	76	283	155	85	400	37
4"3	76	102	305	191	110	450	74
6"4	102	152	403	211	130	500	142
8"6	152	203	502	229	160	*305	253
10"8	203	254	568	291	235	*406	410
12"10	254	305	648	340	290	*406	580
14"10	254	337	762	340	315	*406	683
14"12	305	337	762	375	315	*500	830
16"12	305	387	838	375	360	*500	1051
16"14	337	387	838	417	360	*600	1125
18"14	337	438	914	417	400	*600	1320
18"16	387	438	914	466	400	*600	1530
20"16	387	489	991	466	420	*600	1780
20"18	438	489	991	506	440	*600	1830
22"18	438	540	1092	506	440	*600	2010
24"20	489	591	1143	563	495	*600	2220

**Full Bore - Class 600**

Size in	D mm	L mm	H1 mm	H2 mm	W mm	Weight Kg
2	51	292	155	85	400	45
3	76	356	193	112	500	80
4	102	432	239	140	700	150
6	152	559	266	175	*406	248
8	203	660	310	250	*406	438
10	254	787	354	290	*600	701
12	305	838	411	345	*600	855
14	337	889	435	370	*600	1230
16	387	991	493	420	*600	1535
18	438	1092	544	462	*700	2135
20	489	1194	629	515	*760	2640
22	540	1295	683	570	*800	3370
24	591	1397	728	610	*800	3960
	686	1549	810	695	*800	6060
	737	1651	863	735	*800	6690
	781	1778	900	775	*800	7825
	832	1930	940	820	*800	8460

**Reduced Bore - Class 600**

Size in	d mm	D mm	L mm	H1 mm	H2 mm	W mm	Weight Kg
2"1-1/2	38	51	292	152	80	350	40
3"2	51	76	356	155	85	400	54
4"3	76	102	432	193	112	500	99
6"4	102	152	559	239	140	700	212
8"6	152	203	660	266	175	*406	304
10"8	203	254	787	310	250	*406	510
12"10	254	305	838	354	290	*600	794
14"10	254	337	889	354	345	*600	843
14"12	305	337	889	411	345	*600	910
16"12	305	387	991	411	370	*600	965
16"14	337	387	991	435	370	*600	1310
18"14	337	438	1092	435	410	*600	1520
18"16	387	438	1092	493	420	*600	1640
20"16	387	489	1194	493	440	*600	2065
20"18	438	489	1194	544	462	*700	2270
22"18	438	540	1295	544	462	*700	2430
24"20	489	591	1397	629	515	*760	3440