

VALVES

724FW

1000 WOG

Rating: PN 63

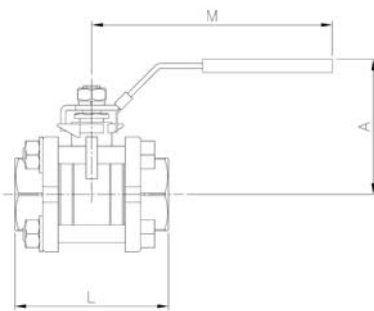
FLOATING 3 PIECES BALL VALVE FULL BORE CARBON STEEL VALVOLA A SFERA IN 3 PEZZI A PASSAGGIO PIENO IN ACCIAIO AL CARBONIO

Options available:

724FWN NPT ENDS ANSI B 2.1

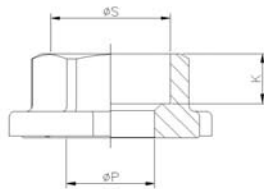
724FWG GAS ENDS DIN 2999 Std

724FWS SW ENS ANSI B 16.11

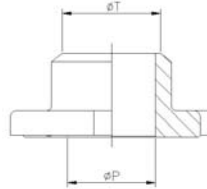

Dimensions


SIZE	1/4"	3/8"	1/2"	3/4"	1"	1 1/4"	1 1/2"	2"	2 1/2"	3"	4"
P	11,6	11,6	15	20	25	32	40	50	65	80	100
K	10	10	10	14	14	15	15	19	21	24	25
S	14,1	17,6	21,7	27,1	33,8	42,6	48,7	61,1	73,8	89,9	115,5
A	48	48	50	60	64	79	85	87	117	125	173
L	50	50	61	70	80	93	102	124	156	179	218
M	100	100	103	127	127	154	154	192	244	244	330
Weight	0,29	0,29	0,39	0,61	0,86	1,37	2,04	3,74	6,44	10,2	20,49

Dimensions in mm



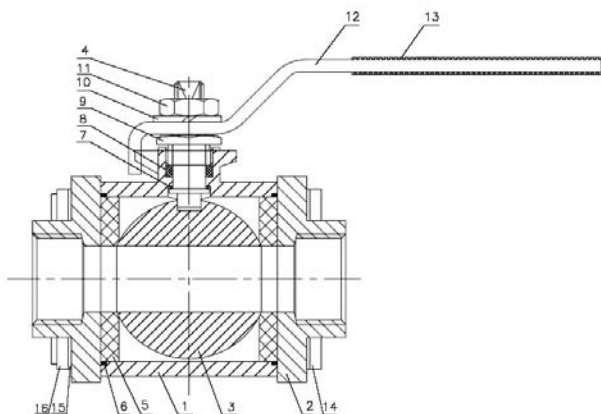
SOCKET WELD ENDS ACCORDING ANSI B 16.11



BUTT WELD ENDS ACCORDING ANSI B 16.25

MAIN FEATURES

- Working Temperature $-25^{\circ}\text{C} + 180^{\circ}\text{C}$.
- Locking system
- Blow-out proof stem

Materials


POS	DESCRIPTION	MATERIAL
1	BODY	WCB
2	CLOSURE	WCB
3	BALL	SS316
4	STEM	SS316
5	SEAT	PTFE + 15% Glass
6	GASKET	PTFE
7	THRUST WASHER	PTFE
8	STEM PACKING	PTFE
9	GLAND	SS304
10	SPRING WASHER	SS304
11	NUT	SS304
12	HANDLE	SS304
13	HANDLE SLEEVE	PLASTIC
14	BOLT	SS304
15	SPRING WASHER	SS304
16	NUT	SS304