

VALVES

724F

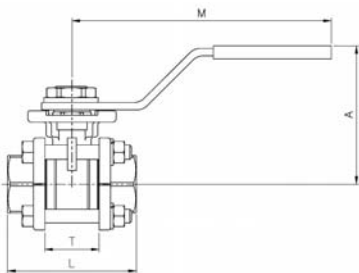
PN 63

Rating: PN 63

FLOATING 3 PIECES BALL VALVE FULL BORE VALVOLA A SFERA IN 3 PEZZI A PASSAGGIO PIENO

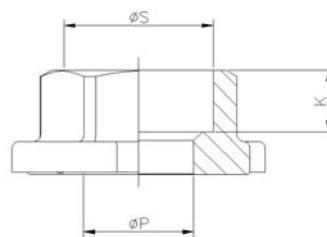
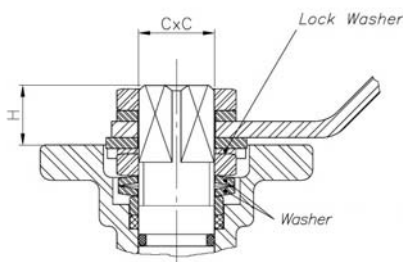
Options available:

- 724FN NPT ENDS ANSI B 2.1
- 724FG GAS ENDS DIN 2999 Std
- 724FB BW ENDS ANSI B 16.25
- 724FS SW ENS ANSI B 16.11

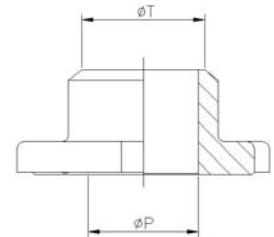

Dimensions


SIZE	1/4"	3/8"	1/2"	3/4"	1"	1 1/4"	1 1/2"	2"	2 1/2"	3"	4"
P	11	12,7	15	20	25	32	40	50	65	80	100
BW T	13	14,7	17	22	28	35	43	54	69	87	105
K	10	10	10	14	14	15	15	19	21	24	25
SW S	14,1	17,6	21,7	27,1	33,8	42,6	48,7	61,1	73,8	89,9	115,5
A	60	60	60	70	70	88	94	100	150	165	175
L	47,6	47,6	55	73	81	91	103	120	155	182	229
M	112	112	112	138	138	160	205	205	330	330	340
T	23	23	24	30	33,5	41,5	51,5	63	83,5	100	118,5
H	10	10	11	11	11	15	15	15	19	19	19
CxC	9x9	9x9	9x9	11x11	11x11	14x14	14x14	14x14	17x17	17x17	17x17
ISO 5211	F03	F03	F03/F04	F04/F05	F04/F05	F05/F07	F05/F07	F05/F07	F07/F10	F07/F10	F07/F10
Weight	0,38	0,38	0,44	0,82	1,02	1,78	2,47	3,4	8,8	12,35	19,6

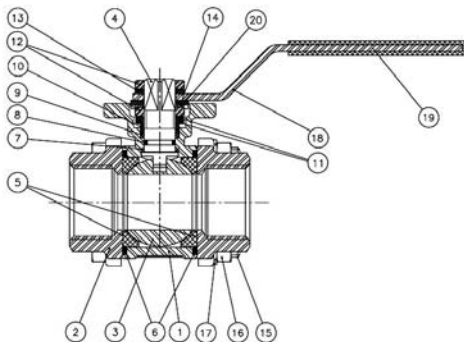
Dimensions in mm



SOCKET WELD ENDS ACCORDING ANSI B 16.11



BUTT WELD ENDS ACCORDING ANSI B 16.25

Materials

MAIN FEATURES

- Direct mounting actuator according ISO 5211
- Working Temperature -30 °C + 180 °C.
- Blow-out proof stem.

POS	DESCRIPTION	MATERIAL
1	BODY	CF8M
2	CLOSURE	CF8M
3	BALL	CF8M
4	STEM	SS316
5	SEAT	PTFE + 15% Glass
6	GASKET	PTFE + Graphite
7	STEM PACKING	PTFE + Graphite
8	ORING	Viton
9	STEM PACKING	PTFE
10	STEM RING	SS304
11	BELLEVILLE WASHER	SS301
12	NUT	SS304
13	WASHER	SS304
14	STOPPER	SS304
15	BOLT	SS304
16	NUT	SS304
17	GROVER WASHER	SS304
18	HANDLE	SS304
19	HANDLE SLEEVE	Vynil
20	LOCK WASHER	SS304