

VALVES
720F
PN 63

Rating: PN 63

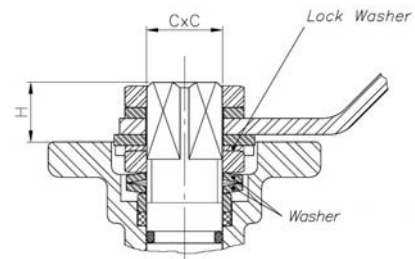
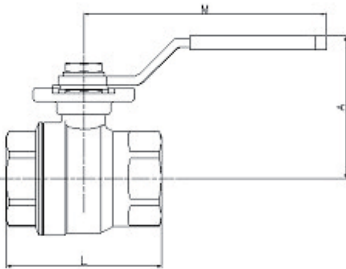
**FLOATING 2 PIECES BALL VALVE FULL BORE
VALVOLA A SFERA IN 2 PEZZI
A PASSAGGIO PIENO**

Options available:

720FG GAS ENDS DIN 2999 Std

720FI GAS ENDS DIN 2999 Std & ISO PAD

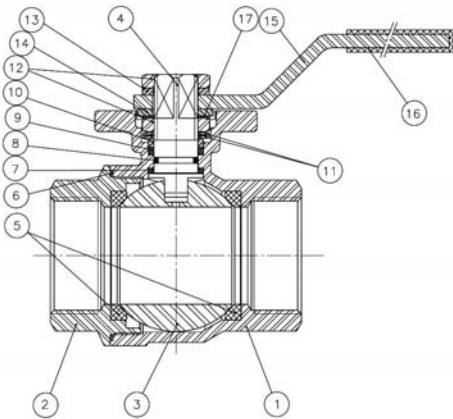
720FN NPT ENDS ANSI B 2.1


Dimensions

MAIN FEATURES

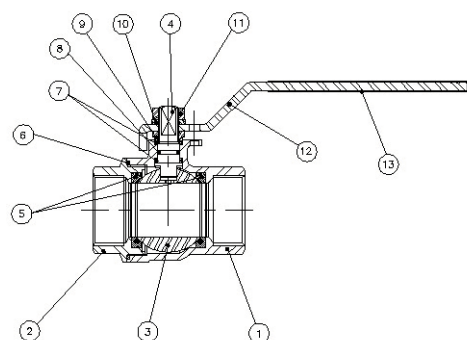
- Direct mounting actuator according ISO 5211
- Working Temperature $-30\text{ }^{\circ}\text{C}$ + $180\text{ }^{\circ}\text{C}$.
- Blow-out proof stem.

SIZE	1/4"	3/8"	1/2"	3/4"	1"	1 1/4"	1 1/2"	2"
P	11	12,7	15	20	25	32	40	50
A	62	62	63	70	70	88	94	100
L	50	50	55	70,5	83	91	103	120
M	112	112	112	138	138	160	205	205
CxC	9x9	9x9	9x9	11x11	11x11	14x14	14x14	14x14
ISO 5211	F03	F03	F04	F04/F05	F04/F05	F05/F07	F05/F07	F05/F07
Weight	0,3	0,3	0,35	0,56	0,78	1,35	1,9	2,83

Dimensions in mm

Materials


POS	DESCRIPTION	MATERIAL
1	BODY	CF8M
2	CLOSURE	CF8M
3	BALL	CF8M
4	STEM	SS316
5	SEAT	PTFE + 15% Glass
6	GASKET	PTFE
7	TRUST WASHER	PTFE + Graphite
8	ORING	Viton
9	STEM PACKING	PTFE
10	STEM RING	SS304
11	BELLEVILLE WASHER	SS301
12	NUT	SS304
13	WASHER	SS304
14	STOPPER	SS304
15	HANDLE	SS304
16	HANDLE SLEEVE	Vynil
17	LOCK WASHER	SS304



POS	DESCRIPTION	MATERIAL
1	BODY	CF8M
2	CLOSURE	CF8M
3	BALL	SS316
4	STEM	SS316
5	SEAT	PTFE + 15% Glass
6	GASKET	PTFE
7	TRUST WASHER	PTFE
8	ORING	Viton
9	STEM PACKING	SS304
10	WASHER	SS304
11	NUT	SS301
12	HANDLE	SS304
13	HANDLE SLEEVE	Vynil