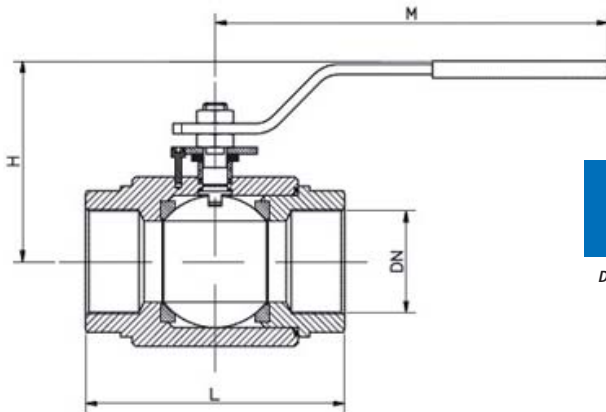


VALVES

721N

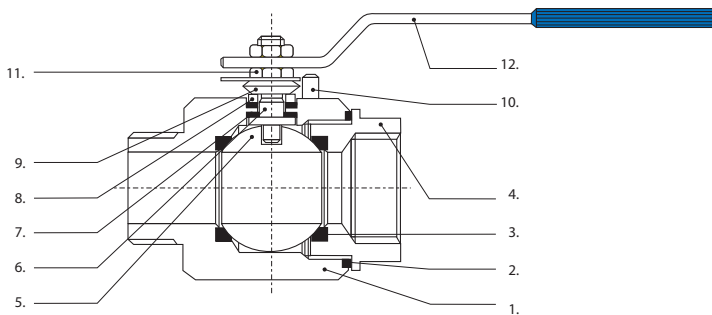
 Rating: 800-1500 lbs /
 3000 P.s.i.

**THREADED FLOATING 2 PIECES BALL
 VALVE FORGED BODY REDUCED BORE
 VALVOLA A SFERA IN 2 PEZZI RICAVATA
 DAL PIENO A PASSAGGIO RIDOTTO**



Dimensions


SIZE	3/8"x1/4"	1/2"x3/8"	3/4"x1/2"	1"x3/4"	1 1/4"x1"	1 1/2"x1 1/4"	2"x1 1/2"
L	67	75	90	105	120	135	155
H	48	48	55	69	77	84	93
M	148	148	180	180	240	240	280
WEIGHT	0,6	0,6	0,8	1,5	2	3,5	4,5

Dimensions in mm

Materials

AVAILABLE FEATURES 721N

- NIPPLES WITH SW ENDS
- NIPPLES WITH BW ENDS
- NIPPLES WITH PLAIN ENDS
- GAS/NPT MALE/FEMALE THREAD
- LOCKING DEVICE
- ISO TOP MOUNTING ON REQUEST

POS	DESCRIPTION	MATERIAL		SPARE PARTS (QTY) 
1	BODY	ASTM A105	ASTM A 182 F 316	1
2	BODY GASKET	PTFE	PTFE	
3	SEAT	RPTFE/NYLON	RPTFE/NYLON	ON REQUEST
4	CAP	ASTM A105	ASTM A 182 F 316	
5	BALL	ASTM A 182 F 316	ASTM A 182 F 316	1
6	STEM	ASTM A 182 F 316	ASTM A 182 F 316	
7	STEM GASKET	PTFE	PTFE	ON REQUEST
8	GLAND	GALVANIZED STEEL	GALVANIZED STEEL	
9	WASHER	C72	50 CrV4	ON REQUEST
10	PIN	GALVANIZED STEEL	GALVANIZED STEEL	
11	NUT	A 194 Gr1	A 194 Gr1	ON REQUEST
12	LEVER	GALVANIZED STEEL PVC HANDLE	GALVANIZED STEEL PVC HANDLE	