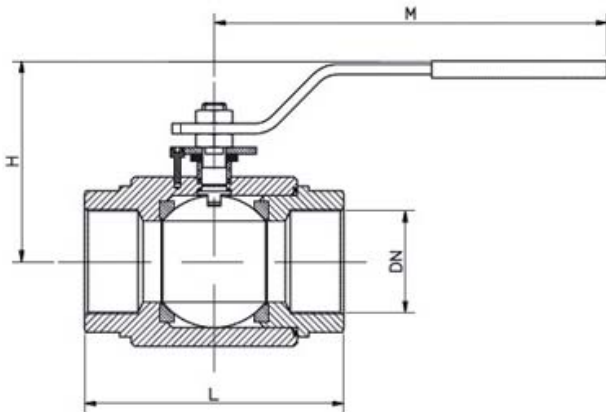


**VALVES**

# 720N

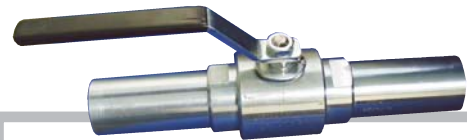
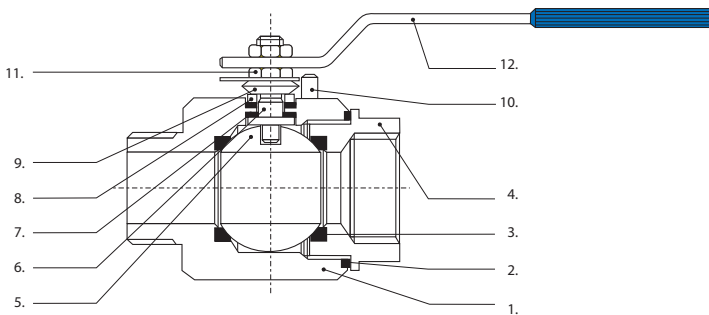
 Rating: 800-1500 lbs /  
3000 P.s.i.

**THREADED FLOATING 2 PIECES BALL VALVE  
FORGED BODY FULL BORE  
VALVOLA A SFERA IN 2 PEZZI  
RICAVATA DAL PIENO A PASSAGGIO PIENO**


**Dimensions**


SIZE	1/4"	3/8"	1/2"	3/4"	1"	1 1/4"	1 1/2"	2"
L	67	67	75	90	105	120	135	155
H	48	48	49	55	69	77	84	93
M	148	148	148	180	180	240	240	280
WEIGHT	0,6	0,6	0,8	1,5	2	3,3	4,5	6

Dimensions in mm

**Materials**

**AVAILABLE FEATURES 720N**

- NIPPLES WITH SW ENDS
- NIPPLES WITH BW ENDS
- NIPPLES WITH PLAIN ENDS
- GAS/NPT MALE/FEMALE THREAD
- LOCKING DEVICE
- ISO TOP MOUNTING ON REQUEST

POS	DESCRIPTION	MATERIAL		SPARE PARTS (QTY)
1	BODY	ASTM A105	ASTM A 182 F 316	1
2	BODY GASKET	PTFE	PTFE	
3	SEAT	RPTFE/NYLON	RPTFE/NYLON	ON REQUEST
4	CAP	ASTM A105	ASTM A 182 F 316	
5	BALL	ASTM A 182 F 316	ASTM A 182 F 316	1
6	STEM	ASTM A 182 F 316	ASTM A 182 F 316	
7	STEM GASKET	PTFE	PTFE	ON REQUEST
8	GLAND	GALVANIZED STEEL	GALVANIZED STEEL	
9	WASHER	C72	50 CrV4	ON REQUEST
10	PIN	GALVANIZED STEEL	GALVANIZED STEEL	
11	NUT	A 194 Gr1	A 194 Gr1	ON REQUEST
12	LEVER	GALVANIZED STEEL PVC HANDLE	GALVANIZED STEEL PVC HANDLE	