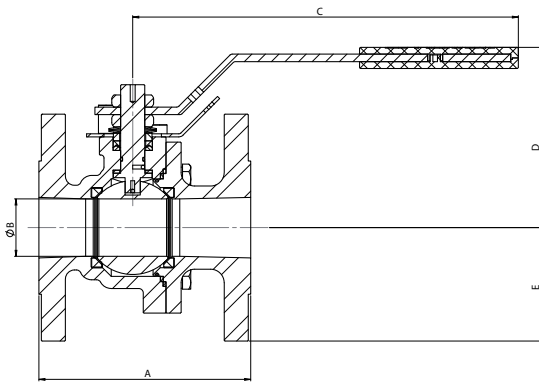


VALVES
760F
ANSI 150 - 300

 Rating: ANSI 150-300
 PN 16-40

 PN6, PN10,
 PN25
 Available
 on request

**FLOATING SPLIT BODY CAST BALL
 VALVE REDUCED BORE
 VALVOLA A SFERA FLANGIATA
 IN FUSIONE A PASSAGGIO RIDOTTO**

Dimensions

ANSI 150

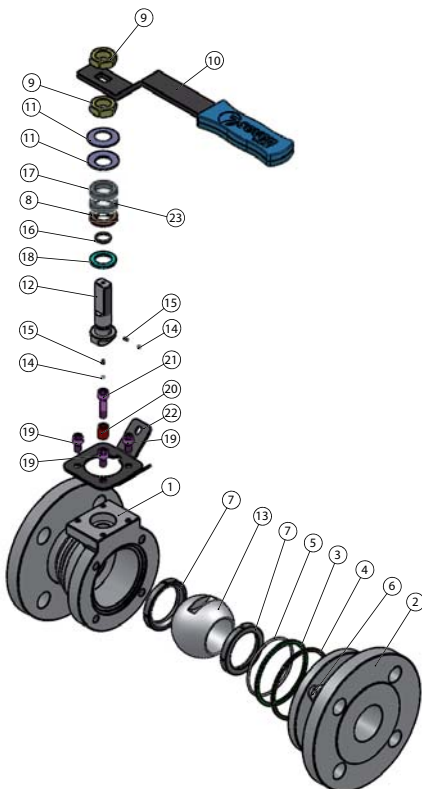
SIZE	2" x 1 1/2"	3" x 2"	4" x 3"	6" x 4"
A RF	178	203	229	394/267*
A RTJ	191	216	241	406
A BW	216	283	305	457
B	ø38	ø49	ø74	ø100
C	260	260	333	427
D	119	127	158	174
E	76,2	95,2	114,3	139,7
WEIGHT KG.	9	19	28	43

 Dimensions in mm
 *Short Pattern

ANSI 300

SIZE	2" x 1 1/2"	3" x 2"	4" x 3"	6" x 4"
A RF	216	283	305	403
A RTJ	232	298	321	419
A BW	216	283	305	403
B	ø38	ø49	ø74	ø100
C	260	333	427	472
D	127	158	174	227
E	82,5	84	127	158,8
WEIGHT KG.	15	25	36	67

Dimensions in mm

Description & Materials


POS	DESCRIPTION	MATERIAL			SPARE PARTS (QTY)
1	BODY	WCB	CF8	CF8M	
2	CLOSURE	WCB	CF8	CF8M	
3	GASKET	PTFE	PTFE	PTFE	1
4	GASKET	GRAPHITE	GRAPHITE	GRAPHITE	1
5	O-RING	NBR	NBR	NBR	1
6	BOLT / NUT	B7/2H	B8M/8M	B8M/8M	
7	SEAT	PTFE	PTFE	PTFE	2
8	CHEVRON	RPTFE	RPTFE	RPTFE	1
9	NUT	6S	6S	6S	ON REQUEST
10	ANATOMIC LEVER	GALV. STEEL	GALV. STEEL	GALV. STEEL	ON REQUEST
11	SPRING WASHER	C72	C72	C72	ON REQUEST
12	STEM	304	304	316	
13	BALL	304	304	316	ON REQUEST
14	ANTISTATIC BALL	304	304	316	
15	ANTISTATIC SPRING	304	304	316	
16	O-RING	NBR	NBR	NBR	1
17	WASHER	304	304	304	
18	WASHER	PTFE	PTFE	PTFE	1
19	TE SCREW	8,8	8,8	8,8	
20	LEVER STOP	FE410	FE410	FE410	ON REQUEST
21	TE SCREW	8,8	8,8	8,8	ON REQUEST
22	LOCKING DEVICE	FE410	FE410	FE410	
23	GASKET	PTFE	PTFE	PTFE	1