

VALVES

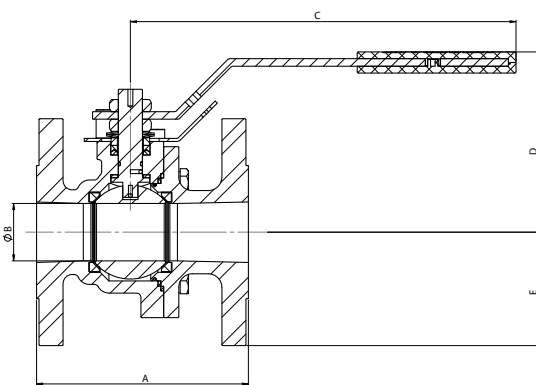
760F

PN 16 - 40

 Rating: ANSI 150-300
 PN 16-40

 PN6, PN10,
 PN25
 Available
 on request

**FLOATING SPLIT BODY CAST BALL
 VALVE REDUCED BORE
 VALVOLA A SFERA FLANGIATA
 IN FUSIONE A PASSAGGIO RIDOTTO**

Dimensions

PN 16

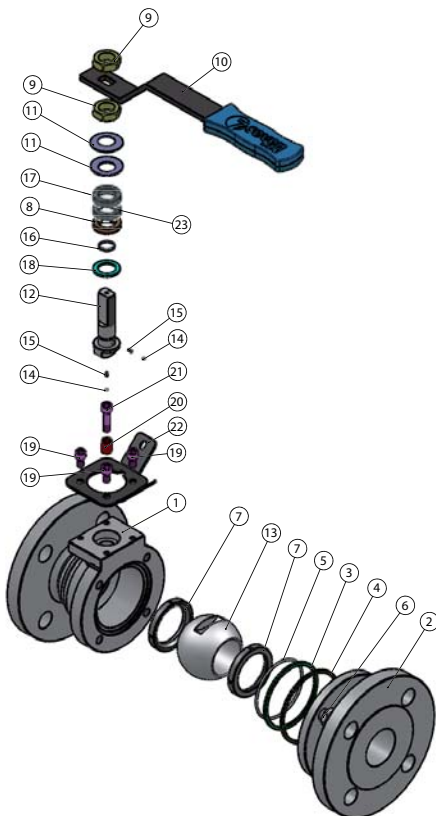
SIZE	DN 50	DN 80	DN 100	DN 150
A	150	180	190	350
B	ø38	ø49	ø74	ø100
C	260	333	427	472
D	127	158	174	227
E	82,5	100	110	142,5
WEIGHT KG.	11	21	24,4	77

Dimensions in mm

PN 40

SIZE	DN 50	DN 80	DN 100	DN 150
A	150	180	190	350
B	ø38	ø49	ø74	ø100
C	260	333	427	472
D	127	158	174	227
E	82,5	100	117,5	150
WEIGHT KG.	11	21	24,4	96

Dimensions in mm

Description & Materials


POS	DESCRIPTION	MATERIAL			SPARE PARTS (QTY)
1	BODY	WCB	CF8	CF8M	
2	CLOSURE	WCB	CF8	CF8M	
3	GASKET	PTFE	PTFE	PTFE	1
4	GASKET	GRAPHITE	GRAPHITE	GRAPHITE	1
5	O-RING	NBR	NBR	NBR	1
6	BOLT / NUT	B7/2H	B8M/8M	B8M/8M	
7	SEAT	PTFE	PTFE	PTFE	2
8	CHEVRON	RPTFE	RPTFE	RPTFE	1
9	NUT	6S	6S	6S	ON REQUEST
10	ANATOMIC LEVER	GALV. STEEL	GALV. STEEL	GALV. STEEL	ON REQUEST
11	SPRING WASHER	C72	C72	C72	ON REQUEST
12	STEM	304	304	316	
13	BALL	304	304	316	ON REQUEST
14	ANTISTATIC BALL	304	304	316	
15	ANTISTATIC SPRING	304	304	316	
16	O-RING	NBR	NBR	NBR	1
17	WASHER	304	304	304	
18	WASHER	PTFE	PTFE	PTFE	1
19	TE SCREW	8,8	8,8	8,8	
20	LEVER STOP	FE410	FE410	FE410	ON REQUEST
21	TE SCREW	8,8	8,8	8,8	
22	LOCKING DEVICE	FE410	FE410	FE410	
23	GASKET	PTFE	PTFE	PTFE	1