

VALVES

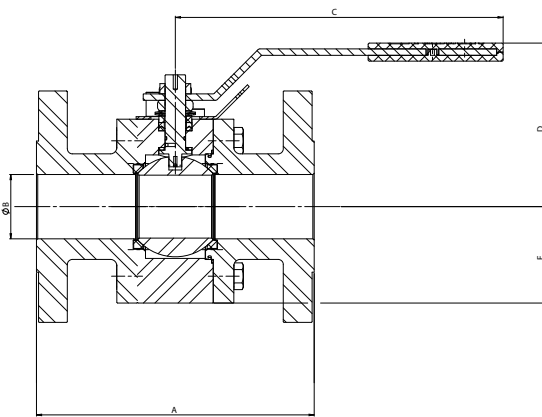
760N

ANSI 150 - 300

 Rating: ANSI 150-600
 PN 16-40

 PN6, PN420,
 ANSI 900-2500
 Available
 on request

**FLOATING SPLIT BODY FORGED BALL
 VALVE REDUCED BORE
 VALVOLA A SFERA FLANGIATA
 RICAVATA DAL PIENO A PASSAGGIO RIDOTTO**

Dimensions

ANSI 150

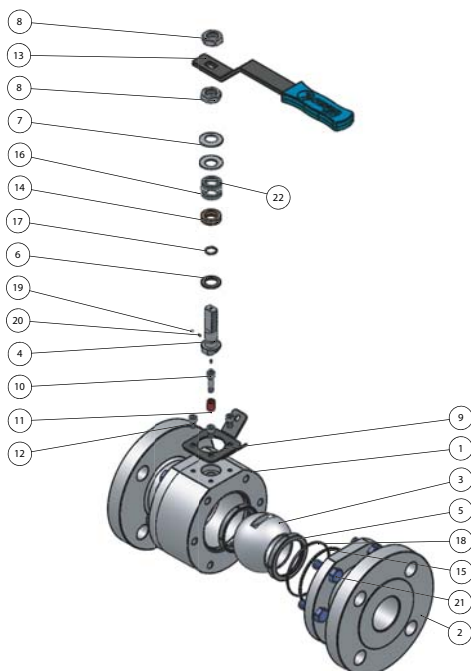
SIZE	2" x 1 1/2"	3" x 2"	4" x 3"	6" x 4"
A RF	178	203	229	394/267*
A RTJ	191	216	241	406
A BW	216	283	305	457
B	ø38	ø49	ø74	ø100
C	260	333	427	472
D	127	158	174	227
E	76,2	95,2	114,3	139,7
WEIGHT KG.	13	20	28	60

 Dimensions in mm
 *Short Pattern

ANSI 300

SIZE	2" x 1 1/2"	3" x 2"	4" x 3"	6" x 4"
A RF	216	283	305	403
A RTJ	232	298	321	419
A BW	216	283	305	403
B	ø38	ø49	ø74	ø100
C	260	333	427	472
D	127	158	174	227
E	82,5	105	127	158,8
WEIGHT KG.	17	35	48	67

Dimensions in mm

Description & Materials


POS	DESCRIPTION	MATERIAL			SPARE PARTS (QTY)
1	BODY	A105	304	316	
2	CLOSURE	A105	304	316	
3	BALL	304	304	316	ON REQUEST
4	STEM	304	304	316	
5	SEAT	PTFE	PTFE	PTFE	2
6	WASHER	PTFE	PTFE	PTFE	1
7	SPRING WASHER	C72	C72	C72	ON REQUEST
8	NUT	65	65	65	ON REQUEST
9	LOCKING DEVICE	FE410	FE410	FE410	
10	TE SCREW	8,8	8,8	8,8	ON REQUEST
11	LEVER STOP	FE410	FE410	FE410	ON REQUEST
12	TE SCREW	8,8	8,8	8,8	
13	ANATOMIC LEVER	GALV. STEEL	GALV. STEEL	GALV. STEEL	ON REQUEST
14	CHEVRON	RPTFE	RPTFE	RPTFE	1
15	GASKET	GRAPHITE	GRAPHITE	GRAPHITE	1
16	GASKET	PTFE	PTFE	PTFE	1
17	O-RING	NBR	NBR	NBR	1
18	O-RING	NBR	NBR	NBR	1
19	ANTISTATIC BALL	304	304	316	
20	ANTISTATIC SPRING	304	304	316	
21	BOLT / NUT	B7/ZH	B8M/8M	B8M/8M	
22	WASHER	304	304	304	