

VALVES

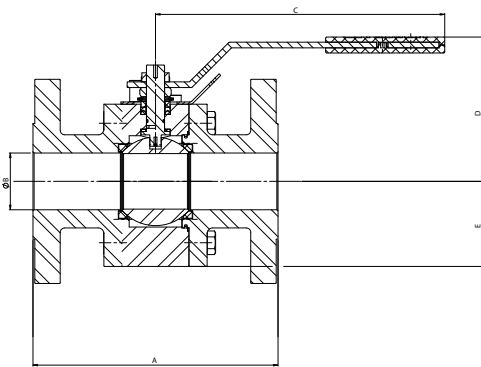
760N

PN 16 - 40

 Rating: ANSI 150-600
 PN 16-40

 PN6, PN420,
 ANSI 900-2500
 Available
 on request

**FLOATING SPLIT BODY FORGED BALL
 VALVE REDUCED BORE
 VALVOLA A SFERA FLANGIATA
 RICAVATA DAL PIENO A PASSAGGIO RIDOTTO**

Dimensions

PN 16

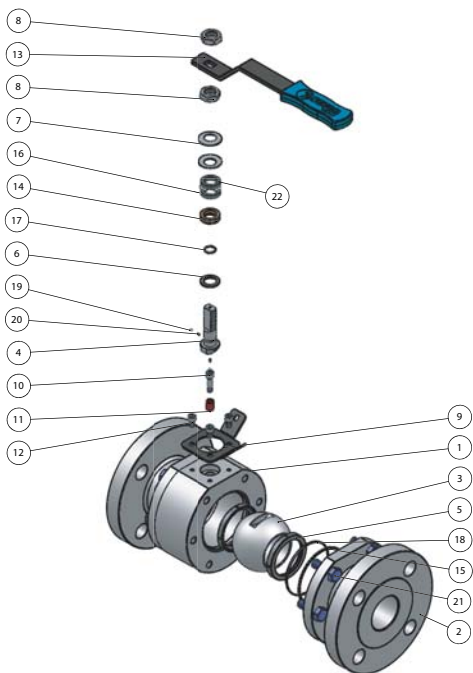
SIZE	DN 20	DN 25	DN 32	DN 40	DN 50	DN 65	DN 80	DN 100	DN 150
A	120	125	130	140	150	170	180	190	350
B	ø13	ø19	ø25	ø28	ø38	ø62	ø49	ø74	ø100
C	138,5	171	171	260	260	333	333	427	472
D	89	97	101	119	127	148	158	174	227
E	52,5	57,5	70	75	82,5	92,5	100	110	142,5
WEIGHT KG.	4	5,2	7	10	13,5	21,5	26	30,5	96

Dimensions in mm

PN 40

SIZE	DN 20	DN 25	DN 32	DN 40	DN 50	DN 65	DN 80	DN 100	DN 150
A	120	125	130	140	150	170	180	190	350
B	ø13	ø19	ø25	ø28	ø38	ø62	ø49	ø74	ø118
C	138,5	171	171	260	260	333	333	427	472
D	89	97	101	119	127	148	158	174	227
E	52,5	57,5	70	75	82,5	92,5	100	117,5	150
WEIGHT KG.	4	5,2	7	10	13,5	21,5	26	30,5	96

Dimensions in mm

Description & Materials


POS	DESCRIPTION	MATERIAL			SPARE PARTS (QTY)
1	BODY	A105	304	316	
2	CLOSURE	A105	304	316	
3	BALL	304	304	316	ON REQUEST
4	STEM	304	304	316	
5	SEAT	PTFE	PTFE	PTFE	2
6	WASHER	PTFE	PTFE	PTFE	1
7	SPRING WASHER	C72	C72	C72	ON REQUEST
8	NUT	65	65	65	ON REQUEST
9	LOCKING DEVICE	FE410	FE410	FE410	
10	TE SCREW	8,8	8,8	8,8	ON REQUEST
11	LEVER STOP	FE410	FE410	FE410	ON REQUEST
12	TE SCREW	8,8	8,8	8,8	
13	ANATOMIC LEVER	GALV. STEEL	GALV. STEEL	GALV. STEEL	ON REQUEST
14	CHEVRON	RPTFE	RPTFE	RPTFE	1
15	GASKET	GRAPHITE	GRAPHITE	GRAPHITE	1
16	GASKET	PTFE	PTFE	PTFE	1
17	O-RING	NBR	NBR	NBR	1
18	O-RING	NBR	NBR	NBR	1
19	ANTISTATIC BALL	304	304	316	
20	ANTISTATIC SPRING	304	304	316	
21	BOLT / NUT	B7/2H	B8M/8M	B8M/8M	
22	WASHER	304	304	304	