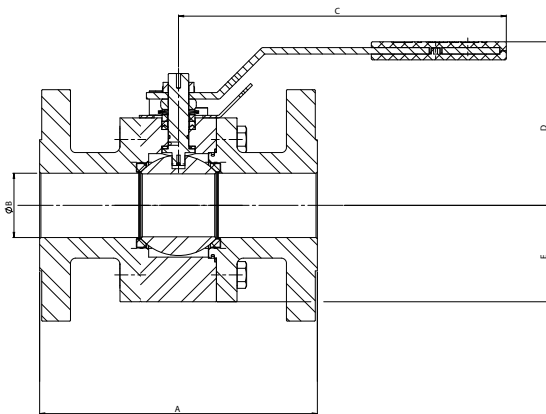


VALVES
750N
ANSI 600

 Rating: ANSI 150-600
 PN 16-40

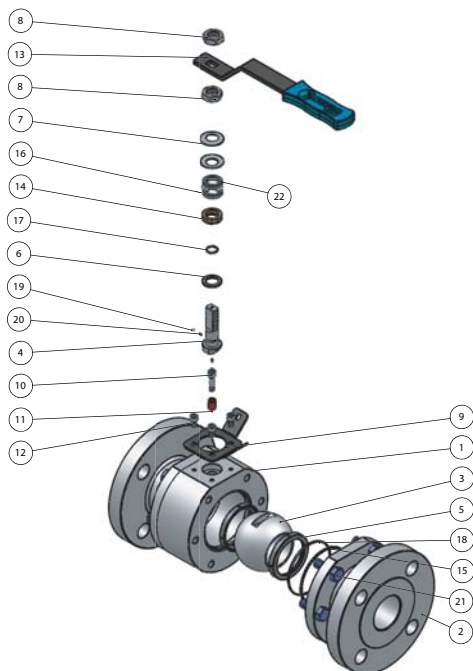
 PN6, PN420,
 ANSI 900-2500
 Available on
 request

**FLOATING SPLIT BODY FORGED BALL
 VALVE FULL BORE
 VALVOLA A SFERA FLANGIATA
 RICAVATA DAL PIENO A PASSAGGIO PIENO**

Dimensions


SIZE	1/2"	3/4"	1"	1 1/2"	2"	3"	4"
A RF	165	191	216	241	292	356	432
A RTJ	165	191	216	241	295	359	435
A BW	165	191	216	241	292	356	432
B	ø13	ø19	ø25	ø38	ø49	ø74	ø100
C	138,5	138,5	171	260	260	333	427
D	85	89	97	119	127	158	174
E	47,6	58,8	61,9	77,8	82,6	104,8	136,5
WEIGHT KG.	5,5	7,4	9	18,5	25	50	92

Dimensions in mm

Description & Materials


POS	DESCRIPTION	MATERIAL			SPARE PARTS (QTY)
1	BODY	A105	304	316	
2	CLOSURE	A105	304	316	
3	BALL	304	304	316	ON REQUEST
4	STEM	304	304	316	
5	SEAT	PTFE	PTFE	PTFE	2
6	WASHER	PTFE	PTFE	PTFE	1
7	SPRING WASHER	C72	C72	C72	ON REQUEST
8	NUT	6S	6S	6S	ON REQUEST
9	LOCKING DEVICE	FE410	FE410	FE410	
10	TE SCREW	8,8	8,8	8,8	ON REQUEST
11	LEVER STOP	FE410	FE410	FE410	ON REQUEST
12	TE SCREW	8,8	8,8	8,8	
13	ANATOMIC LEVER	GALV. STEEL	GALV. STEEL	GALV. STEEL	ON REQUEST
14	CHEVRON	RPTFE	RPTFE	RPTFE	1
15	GASKET	GRAPHITE	GRAPHITE	GRAPHITE	1
16	GASKET	PTFE	PTFE	PTFE	1
17	O-RING	NBR	NBR	NBR	1
18	O-RING	NBR	NBR	NBR	1
19	ANTISTATIC BALL	304	304	316	
20	ANTISTATIC SPRING	304	304	316	
21	BOLT / NUT	B7/2H	B8M/8M	B8M/8M	
22	WASHER	304	304	304	