

**VALVES**

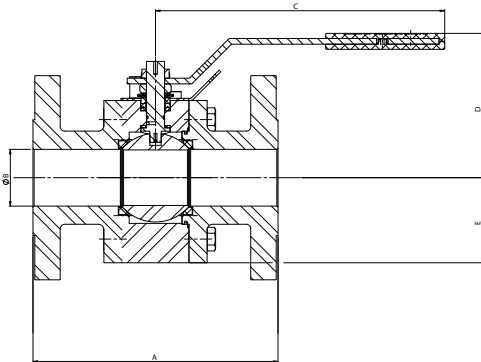
# 750N

**PN 16 - 40**

 Rating: ANSI 150-600  
 PN 16-40

 PN6, PN420,  
 ANSI 900-2500  
 Available on  
 request

**FLOATING SPLIT BODY FORGED BALL  
 VALVE FULL BORE  
 VALVOLA A SFERA FLANGIATA  
 RICAVATA DAL PIENO A PASSAGGIO PIENO**

**Dimensions**


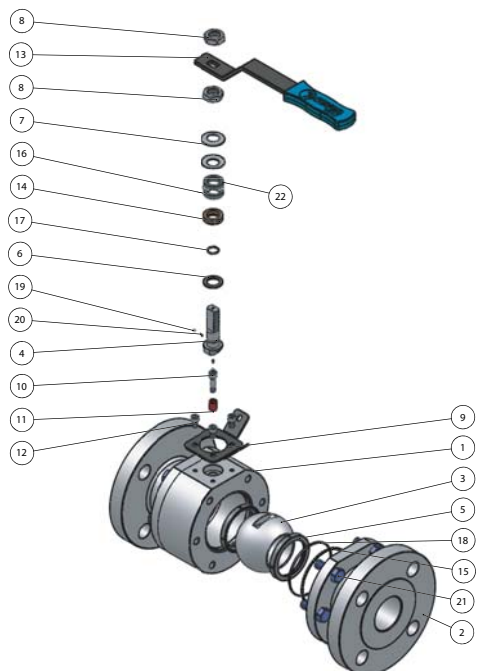
| SIZE       | PN 16 |       |       |       |       |       |       |       |        |        |        |        |
|------------|-------|-------|-------|-------|-------|-------|-------|-------|--------|--------|--------|--------|
|            | DN 15 | DN 20 | DN 25 | DN 32 | DN 40 | DN 50 | DN 65 | DN 80 | DN 100 | DN 125 | DN 150 | DN 200 |
| A          | 115   | 120   | 125   | 130   | 140   | 150   | 170   | 180   | 190    | 325    | 350    | 400    |
| B          | ø13   | ø19   | ø25   | ø28   | ø38   | ø49   | ø62   | ø74   | ø100   | ø118   | ø150   | 200    |
| C          | 138,5 | 138,5 | 171   | 171   | 260   | 260   | 333   | 333   | 427    | 427    | 472    | 472    |
| D          | 85    | 89    | 97    | 101   | 119   | 127   | 147,5 | 158   | 174    | 189    | 227    | 227    |
| E          | 47,5  | 52,5  | 57,5  | 70    | 75    | 82,5  | 92,5  | 100   | 110    | 125    | 142,5  | 170    |
| WEIGHT KG. | 3     | 4     | 5,2   | 7     | 10    | 13,5  | 21,5  | 26    | 30,5   | 61     | 96     | 231,5  |

Dimensions in mm

**PN 16**

| SIZE       | PN 40 |       |       |       |       |       |       |       |        |        |        |        |
|------------|-------|-------|-------|-------|-------|-------|-------|-------|--------|--------|--------|--------|
|            | DN 15 | DN 20 | DN 25 | DN 32 | DN 40 | DN 50 | DN 65 | DN 80 | DN 100 | DN 125 | DN 150 | DN 200 |
| A          | 115   | 120   | 125   | 130   | 140   | 150   | 170   | 180   | 190    | 325    | 350    | 400    |
| B          | ø13   | ø19   | ø25   | ø28   | ø38   | ø49   | ø62   | ø74   | ø100   | ø118   | ø150   | 200    |
| C          | 138,5 | 138,5 | 171   | 171   | 260   | 260   | 333   | 333   | 427    | 427    | 472    | 472    |
| D          | 85    | 89    | 97    | 101   | 119   | 127   | 148   | 158   | 174    | 189    | 227    | 227    |
| E          | 47,5  | 52,5  | 57,5  | 70    | 75    | 82,5  | 92,5  | 100   | 110    | 125    | 142,5  | 170    |
| WEIGHT KG. | 3     | 4     | 5,2   | 7     | 10    | 13,5  | 21,5  | 26    | 30,5   | 61     | 96     | 231,5  |

Dimensions in mm

**PN 40**
**Description & Materials**


| POS | DESCRIPTION       | MATERIAL    |             |             | SPARE PARTS (QTY) |
|-----|-------------------|-------------|-------------|-------------|-------------------|
| 1   | BODY              | A105        | 304         | 316         |                   |
| 2   | CLOSURE           | A105        | 304         | 316         |                   |
| 3   | BALL              | 304         | 304         | 316         | ON REQUEST        |
| 4   | STEM              | 304         | 304         | 316         |                   |
| 5   | SEAT              | PTFE        | PTFE        | PTFE        | 2                 |
| 6   | WASHER            | PTFE        | PTFE        | PTFE        | 1                 |
| 7   | SPRING WASHER     | C72         | C72         | C72         | ON REQUEST        |
| 8   | NUT               | 6S          | 6S          | 6S          | ON REQUEST        |
| 9   | LOCKING DEVICE    | FE410       | FE410       | FE410       |                   |
| 10  | TE SCREW          | 8,8         | 8,8         | 8,8         | ON REQUEST        |
| 11  | LEVER STOP        | FE410       | FE410       | FE410       | ON REQUEST        |
| 12  | TE SCREW          | 8,8         | 8,8         | 8,8         |                   |
| 13  | ANATOMIC LEVER    | GALV. STEEL | GALV. STEEL | GALV. STEEL | ON REQUEST        |
| 14  | CHEVRON           | RPTFE       | RPTFE       | RPTFE       | 1                 |
| 15  | GASKET            | GRAPHITE    | GRAPHITE    | GRAPHITE    | 1                 |
| 16  | GASKET            | PTFE        | PTFE        | PTFE        | 1                 |
| 17  | O-RING            | NBR         | NBR         | NBR         | 1                 |
| 18  | O-RING            | NBR         | NBR         | NBR         | 1                 |
| 19  | ANTISTATIC BALL   | 304         | 304         | 316         |                   |
| 20  | ANTISTATIC SPRING | 304         | 304         | 316         |                   |
| 21  | BOLT / NUT        | B7/2H       | B8M/8M      | B8M/8M      |                   |
| 22  | WASHER            | 304         | 304         | 304         |                   |