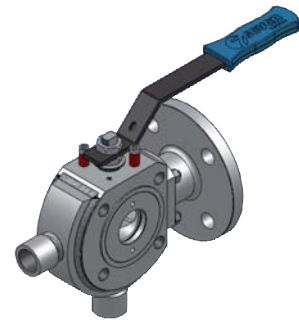
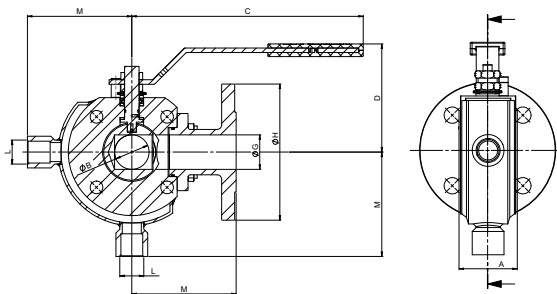


VALVES

714L

PN 16 - 40 / ANSI 150 - 300

 Rating: ANSI 150-300
 PN 16-40

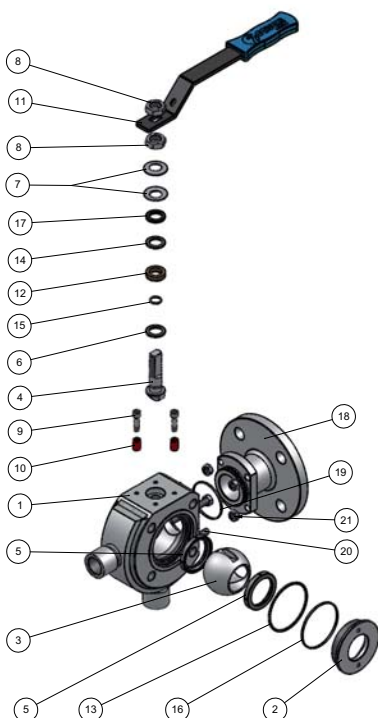
 PN6, PN10,
 PN25, PN63,
 PN100, ANSI 600
 Available
 on request

**3 WAYS "L" FLOATING WAFER FORGED BALL
 VALVE WITH HEATING CAMBER**
**VALVOLA A SFERA A 3 VIE A L
 RICAVATA DAL PIENO CON CAMICIA
 DI RISCALDAMENTO**
Dimensions
PN 16


SIZE	DN 40	DN 50	DN 65	DN 80	DN 100	DN 150
A	64,2	80,2	104,2	118,2	150	236
B	ø38	ø49	ø62	ø74	ø100	ø150
C	260	260	333	333	427	472
D	119	127	148	158	174	227
G	38	49	62	74	100	150
H	150	165	185	200	220	285
L ⁽¹⁾	1/2"	1/2"	1/2"	1/2"	1/2"	1/2"
	3/4" Gas DN15/25	3/4" Gas DN15/25	3/4" Gas DN15/25	3/4" Gas DN15/25	3/4" Gas DN15/25	3/4" Gas DN15/25
M	115	125	135	150	170	210
WEIGHT KG.	5,5	7	16	20	31	76

Dimensions in mm

⁽¹⁾ To be defined in the order/Da definire in fase d'ordine

Description & Materials


POS	DESCRIPTION	MATERIAL			SPARE PARTS (QTY)
1	BODY	A105	304	316	
2	CLOSURE	A105	304	316	
3	BALL	304	304	316	ON REQUEST
4	STEM	304	304	316	
5	SEAT	PTFE	PTFE	PTFE	2
6	WASHER	PTFE	PTFE	PTFE	1
7	SPRING WASHER	C72	C72	C72	ON REQUEST
8	NUT	65	65	65	ON REQUEST
9	TE SCREW	8,8	8,8	8,8	
10	LEVER STOP	FE410	FE410	FE410	ON REQUEST
11	ANATOMIC LEVER	GALV. STEEL	GALV. STEEL	GALV. STEEL	ON REQUEST
12	CHEVRON	RPTFE	RPTFE	RPTFE	
13	GASKET	GRAPHITE	GRAPHITE	GRAPHITE	ON REQUEST
14	GASKET	PTFE	PTFE	PTFE	1
15	O-RING	NBR	NBR	NBR	1
16	GASKET	PTFE	PTFE	PTFE	1
17	WASHER	304	304	304	1
18	3RD WAY	A105	304	316	1
19	O-RING	NBR	NBR	NBR	1
20	BOLT	B7	B8M	B8M	1
21	NUT	2M	8	8M	

 Heating chamber in stainless steel available
 A richiesta con camicia in acciaio inossidabile