

VALVES

712L

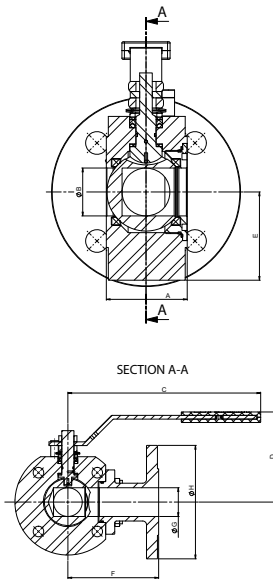
PN 16 - 40 / ANSI 150 - 300

 Rating: ANSI 150-300
 PN 16-40

**3 WAYS "L" FLOATING WAFER
 FORGED BALL VALVE**

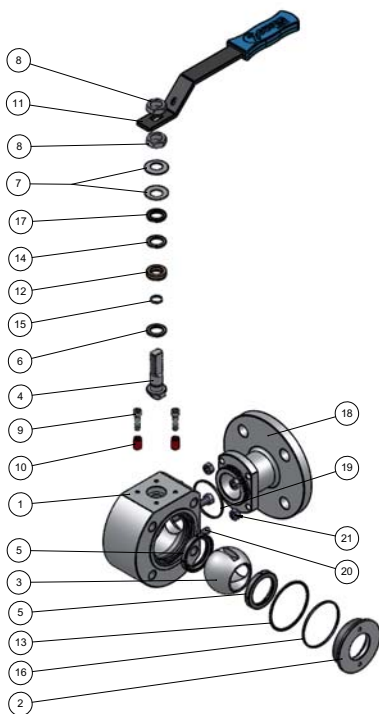
 PN6, PN10,
 PN25, PN63,
 PN100, ANSI 600
 Available
 on request

**VALVOLA A SFERA A 3 VIE A L
 RICAVATA DAL PIENO**

Dimensions

PN 16

SIZE	DN 15	DN 20	DN 25	DN 32	DN 40	DN 50	DN 65	DN 80	DN 100	DN 125	DN 150
A	35,2	38,2	43,2	51,2	64,2	80,2	104,2	118,2	150	182	236
B	ø13	ø19	ø25	ø28	ø38	ø49	ø62	ø74	ø100	ø118	ø150
C	138,5	138,5	171	171	260	260	333	333	427	427	472
D	85	89	97	101	119	127	147,5	158	174	189	227
E	45	50	55	65	70	75	90	102,5	115	127,5	165
F	85	90	90	105	120	130	150	175	185	200	215
G	13	19	25	28	38	49	62	74	100	118	150
H	95	105	115	140	150	165	185	200	220	250	285
WEIGHT KG.	3	4	4,5	6	9	17	22	30	44	65	111

Dimensions in mm

Description & Materials


POS	DESCRIPTION	MATERIAL			SPARE PARTS (QTY)
1	BODY	A105	304	316	
2	CLOSURE	A105	304	316	
3	BALL	304	304	316	ON REQUEST
4	STEM	304	304	316	
5	SEAT	PTFE	PTFE	PTFE	2
6	WASHER	PTFE	PTFE	PTFE	1
7	SPRING WASHER	C72	C72	C72	ON REQUEST
8	NUT	65	65	65	ON REQUEST
9	TE SCREW	8,8	8,8	8,8	
10	LEVER STOP	FE410	FE410	FE410	ON REQUEST
11	ANATOMIC LEVER	GALV. STEEL	GALV. STEEL	GALV. STEEL	ON REQUEST
12	CHEVRON	RPTFE	RPTFE	RPTFE	
13	GASKET	GRAPHITE	GRAPHITE	GRAPHITE	ON REQUEST
14	GASKET	PTFE	PTFE	PTFE	1
15	O-RING	NBR	NBR	NBR	1
16	GASKET	PTFE	PTFE	PTFE	1
17	WASHER	304	304	304	1
18	3RD WAY	A105	304	316	1
19	O-RING	NBR	NBR	NBR	1
20	BOLT	B7	B8M	B8M	1
21	NUT	2M	8	8M	