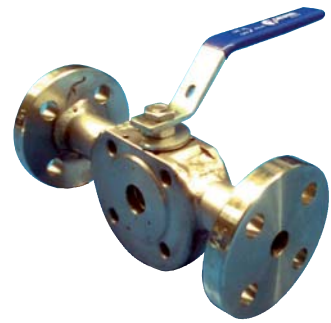


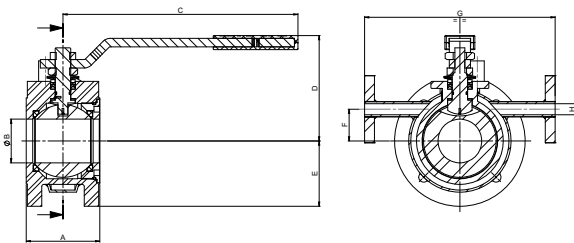
VALVES
711FF
PN 16 - 40 / ANSI 150 - 300

 Rating: ANSI 150-300
 PN 16-40

 PN6, PN10,
 PN25
 Available
 on request

**FLOATING WAFER CAST BALL VALVE
 WITH HEATING CHAMBER
 VALVOLA A SFERA A CORPO PIATTO
 IN FUSIONE CON CAMICIA
 DI RISCALDAMENTO**
Dimensions
PN 16-40 / ANSI 150

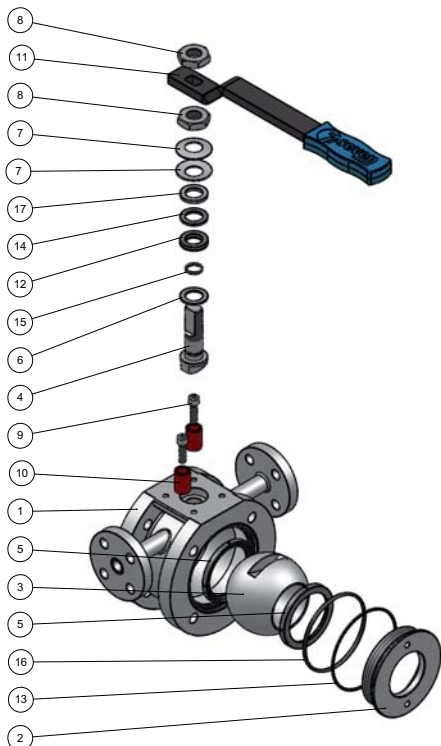
SIZE	40 1 1/2"	50 2"	65 2 1/2"	80 3"	100 4"	125 5"	150 6"
A	64,2	80,2	104,2	118,2	150	182	236
B	ø38	ø49	ø62	ø74	ø100	ø118	ø150
C	260	260	333	333	427	427	472
D	119	127	148	158	174	189	227
E	70	75	94	102,5	115	135*	165
F	30	30	45	50	70	80	95
G	230	250	270	300	340	360	420
H ⁽¹⁾	DN15/25	DN15/25	DN15/25	DN15/25	DN15/25	DN15/25	DN15/25
WEIGHT KG.	5,5	7	16	20	31	38	76

Dimensions in mm *PN40: DN125 E 135 (1) To be defined in the order / Da definire in fase d'ordine


ANSI 300

SIZE	1 1/2"	2"	2 1/2"	3"	4"	5"	6"
A	64,2	80,2	104,2	118,2	150	182	236
B	ø38	ø49	ø62	ø74	ø100	ø118	ø150
C	260	260	333	333	427	427	472
D	119	127	148	158	174	189	227
E	70	75	94	112,5	132,5	135	165
F	30	30	45	50	70	80	95
G	230	250	270	300	340	360	420
H ⁽¹⁾	DN15/25	DN15/25	DN15/25	DN15/25	DN15/25	DN15/25	DN15/25
WEIGHT KG.	5,5	7	16	20	31	38	76

Dimensions in mm (1) To be defined in the order / Da definire in fase d'ordine

Description & Materials


POS	QTY	DESCRIPTION	MATERIAL			SPARE PARTS (QTY)
1	1	BODY BC	A105	304	316	
2	1	CLOSURE CL	A105	304	316	
3	1	BALL BA	304	304	316	ON REQUEST
4	1	ASSEMBLY STEM AS	304	304	316	
5	2	SEAT SE	PTFE	PTFE	PTFE	2
6	1	GASKET GA	PTFE	PTFE	PTFE	1
7	2	SPRING WASHER SW	C72	C72	C72	ON REQUEST
8	2	NUT NU	6S	6S	6S	
9	2	TCEI SCREW TC	8.8	8.8	8.8	ON REQUEST
10	2	LEVER STOP LS	FE410	FE410	FE410	ON REQUEST
11	1	ANATOMIC LEVER LE	VARIOUS	VARIOUS	VARIOUS	ON REQUEST
12	1	CHEVRON CH	RPTFE	RPTFE	RPTFE	1
13	1	GASKET GA	GRAPHITE	GRAPHITE	GRAPHITE	1
14	1	WASHER WA	PTFE	PTFE	PTFE	1
15	1	O-RING OR	NBR	NBR	NBR	1
16	1	O-RING OR	NBR	NBR	NBR	1
17	1	GASKET GA	304	304	304	1

 Heating chamber in stainless steel available
 A richiesta con camicia in acciaio inossidabile