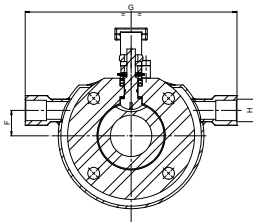
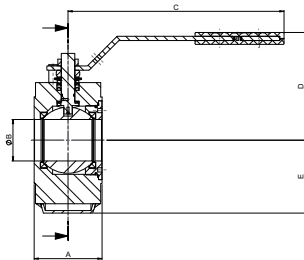


VALVES
711NM PN 16 - 40 / ANSI 150 - 300

 Rating: ANSI 150-300
 PN 16-40

 PN6, PN10,
 PN25
 Available
 on request

**FLOATING WAFER CAST BALL VALVE
 WITH HEATING CHAMBER**
**VALVOLA A SFERA A CORPO PIATTO
 RICAVATA DAL PIENO CON CAMICIA
 DI RISCALDAMENTO**
Dimensions

PN 16-40 / ANSI 150

SIZE	25 1"	32 1 1/4"	40 1 1/2"	50 2"	65 2 1/2"	80 3"	100 4"	125 5"	150 6"
A	43,2	51,2	64,2	80,2	104,2	118,2	150	182	236
B	ø25	ø28	ø38	ø49	ø62	ø74	ø100	ø118	ø150
C	171	171	260	260	333	333	427	427	472
D	97	101	119	127	147,5	158	174	189	227
E	66	76	81	86	105	113	126	146*	176
F	0	25	30	30	45	50	70	80	95
G	190	210	230	250	270	300	340	360	420
H ⁽¹⁾	1/2"	1/2" 3/4"	1/2" 3/4"	1/2" 3/4"	1/2" 3/4"	1/2" 3/4"	1/2" 3/4"	1/2" 3/4"	1/2" 3/4"
WEIGHT KG.	Gas 3,1	Gas 4,4	Gas 7,1	Gas 10,2	Gas 20	Gas 25	Gas 40	Gas 53	Gas 108

Dimensions in mm

*PN40: DN125 E 135

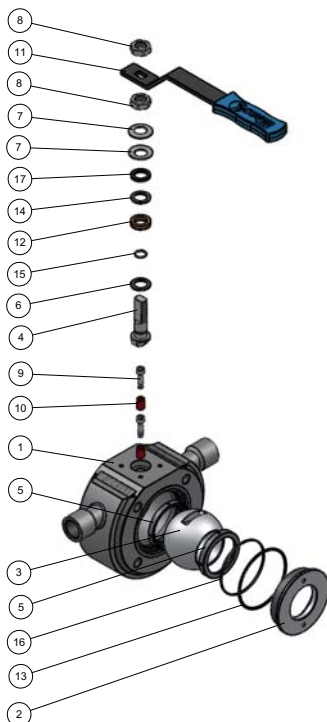
(1) To be defined in the order / Da definire in fase d'ordine

ANSI 300

SIZE	1"	1 1/4"	1 1/2"	2"	2 1/2"	3"	4"	5"	6"
A	43,2	51,2	64,2	80,2	104,2	118,2	150	182	236
B	ø25	ø28	ø38	ø49	ø62	ø74	ø100	ø118	ø150
C	171	171	260	260	333	333	427	427	472
D	97	101	119	127	147,5	158	174	189	227
E	66	76	81	86	105	112,5	132,5	135	165
F	0	25	30	30	45	50	70	80	95
G	190	210	230	250	270	300	340	360	420
H ⁽¹⁾	1/2"	1/2" 3/4"	1/2" 3/4"	1/2" 3/4"	1/2" 3/4"	1/2" 3/4"	1/2" 3/4"	1/2" 3/4"	1/2" 3/4"
WEIGHT KG.	3,1	4,4	7,1	10,2	20	25	40	53	108

Dimensions in mm

(1) To be defined in the order / Da definire in fase d'ordine

Description & Materials


POS	QTY	DESCRIPTION	MATERIAL			SPARE PARTS (QTY)
1	1	BODY BC	A105	304	316	ON REQUEST
2	1	CLOSURE CL	A105	304	316	
3	1	BALL BA	304	304	316	
4	1	ASSEMBLY STEM AS	304	304	316	2
5	2	SEAT SE	PTFE	PTFE	PTFE	1
6	1	GASKET GA	PTFE	PTFE	PTFE	ON REQUEST
7	2	SPRING WASHER SW	C72	C72	C72	ON REQUEST
8	2	NUT NU	65	65	65	ON REQUEST
9	2	TCEI SCREW TC	8.8	8.8	8.8	ON REQUEST
10	2	LEVER STOP LS	FE410	FE410	FE410	ON REQUEST
11	1	ANATOMIC LEVER LE	VARIOUS	VARIOUS	VARIOUS	ON REQUEST
12	1	CHEVRON CH	RPTFE	RPTFE	RPTFE	1
13	1	GASKET GA	GRAPHITE	GRAPHITE	GRAPHITE	1
14	1	WASHER WA	PTFE	PTFE	PTFE	1
15	1	O-RING OR	NBR	NBR	NBR	1
16	1	O-RING OR	NBR	NBR	NBR	1
17	1	GASKET GA	304	304	304	1

 Heating chamber in stainless steel available
 A richiesta con camicia in acciaio inossidabile